

Z411

4MP Zoom Bullet with D/N, Adaptive IR, Extreme WDR, ELLS, 22x Zoom Lens



- 4 Megapixel
- Day & Night with Extreme Low Light Sensitivity and Adaptive IR LED
- 22x Zoom Lens with f6.5-143mm/F1.5, DC iris, Auto focus (for installation)
- Extreme WDR
- H.265 Compression

► Specifications

Device

Product Type	Zoom Bullet
Maximum Resolution	4MP
Application Environment	Outdoor
Image Sensor	Progressive Scan CMOS
Sensor Size	1/1.8 "
Effective Pixels	2688(H) X 1520(V) (4 MP)
Day / Night	Yes
Low Light Sensitivity	Extreme
Minimum Illumination	Color: 0.001 lux at F1.5 (AGC on); B/W: 0 lux (IR LED on)
Color to B/W Switch	ISP based switch, configurable
Mechanical IR Cut Filter	Yes
IR Sensitivity Range	700-1100nm
IR LED	Adaptive IR LED
IR Working Distance	150m
Electronic Shutter	1-1/100000 second (manual mode); 1-1/100000 second (auto mode)

S/N Ratio	85 dB
-----------	-------

Lens

Focal Length	Zoom, f6.5-143mm
Aperture	F1.5
Zoom Ratio	22x optical zoom
Zoom Application	Camera Installation
Iris	DC iris
Focus	Auto focus
Lens Mount	Board mount
Horizontal Viewing Angle	61.3° - 3.4°
Vertical Viewing Angle	36.3° - 1.9°

Video

Compression	H.265, H.264, MJPEG
Maximum Frame Rate vs. Resolution	30 fps at 2688 x 1520 30 fps at 1920 x 1080 30 fps at 720 x 576
Multi-Streaming	Simultaneous triple streams
Wide Dynamic Range	Extreme WDR (150 dB)
Image Enhancement	White Balance, Backlight compensation (BLC), Defogging
Digital Noise Reduction	2D + 3D DNR
Privacy Mask	4 configurable regions
Text Overlay	Yes
Built-in Analytics	People Counting, Tampering Detection, Object Line Crossing Detection, Intrusion Detection (Forbidden Area Detection), Object Enter Area Detection, Object Exit Area Detection
Image Orientation	Flip, Mirror, Rotation (Corridor mode)

Audio

Audio Type	2-way, Line-in, Line-out
Audio Compression	G.711 u-law, G.711 A-law

Network

Ethernet Port	1 x Ethernet (10/100/1000 Base-T), RJ-45 connector
Security	IP address filtering, HTTPS encryption, Password protected user level

Event

Event Response	E-mail notification with snapshots, Upload snapshot to FTP server, Save video or snapshot to local storage
----------------	--

System

Watchdog	Support
----------	---------

Integration

ONVIF Compliant	Yes, Profile S, Profile G, Profile T
-----------------	--------------------------------------

Web Browser | IE 11, Google Chrome, Microsoft Edge, Firefox

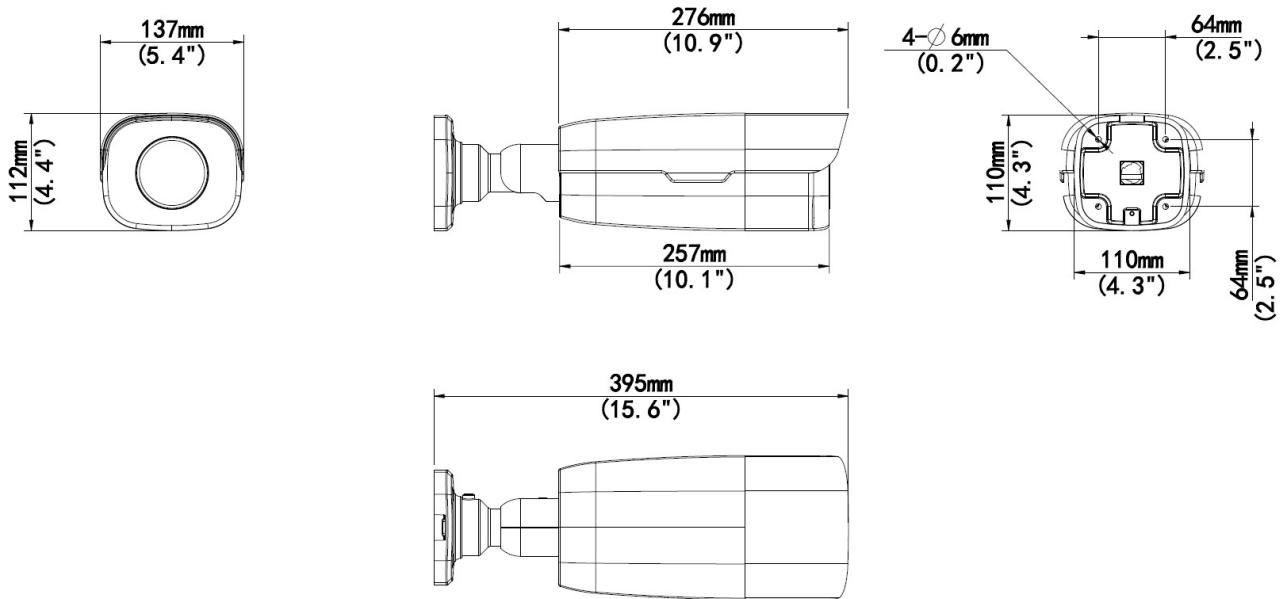
Interface

Serial Port	1 x RS-485
Analog Video Output	1 x BNC connector
Local Storage	MicroSD Memory Card Slot (card not included, up to 256GB, Kingston or Sandisk only)
Digital Input/Output	2/1 (Terminal block)
Operating Button	Reset Button

General

Power Source	AC 24V, High PoE (IEEE802.3at)
Power Consumption	15 W (PoE)
Weight	3770g (8.31lb)
Dimensions	(L x W x H): 395mm x 137mm x 112mm (15.6" x 5.4" x 4.4")
Environmental Casing	Weatherproof (IP67)
Mount Type	Pole Mount
Heater	Yes
Operating Temperature	-40°C ~ 60°C (-40°F ~ 140°F)
Surge Protection	6KV
Approvals	CE Class A, FCC Class A, IP67
Color	White
Real-time Clock (RTC)	Yes
Warranty	3 Year(s). For extended warranty offering, see http://www.acti.com/support/warranty

► Dimension Diagram



Unit: mm [inch]

► Related Products

Mounting Accessories - Camera Mount

PMAX-0527



Pole Mount (for Z4x, Z710, Z8x, Z9x, A7x), supports 2.64" to 5" Poles

PMAX-0731



Junction Box (for Z411)

Note: Some mounting accessories may need additional accessories for installation. Please check www.acti.com/mountingselector for more information.

Power Supply Accessories - Power Adapter

PPBX-0029



Power Adapter AC 100~240V, with universal connectors for Z411

Power Supply Accessories - PoE Injector

PPOE-0106



High PoE Injector IEEE 802.3at compliant, AC 100~240V, with universal connectors (for A416, A418, B913, B923, B934, Q450, Q75, VMGB-60X, Z37, Z71, Z952)

Network & Storage Peripherals - Memory Card

PMMC-0400



SanDisk 128GB MicroSDXC Class 10 Memory Card (SDSQN128G-GN6IA)

PMMC-0500



Kingston 256GB MicroSDXC Class 10 UHS-1 Memory Card (SDCS2/256Gb)