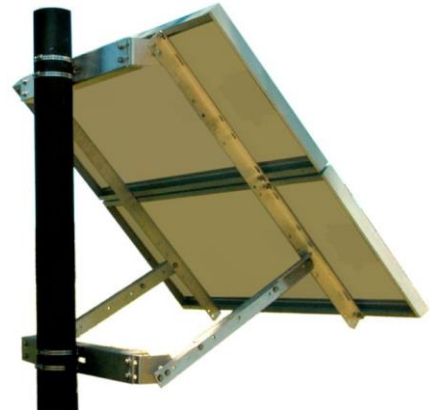


### Solar Panel Mounts

#### Features

- Simple, Low Cost Design
- Flexible Side of Pole Mounting ( to 4.5” dia. Pole)
- Heavy Duty Aluminum and Stainless Steel components for long life
- Easy to Install – Reduced Installation Time
- Quick tilt adjustment
- Certified for up to 110MPH Winds



#### Applications

- 5W to 280W Solar Panels
- Remote Power Systems

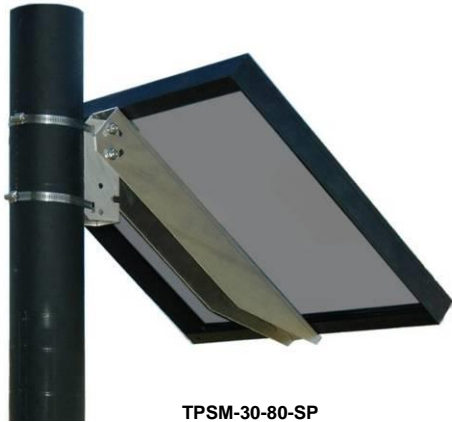
#### Description

The TPSM series of solar panel mounts are designed to be used with Tycon Power Systems solar panels but are flexible in their design and can be used with other manufacturer’s solar panels. The low cost simple designs reduces installation costs, saving the installer precious install time. The construction is heavy duty aluminum with all stainless steel hardware for very long service life in the harshest conditions.



#### Specifications

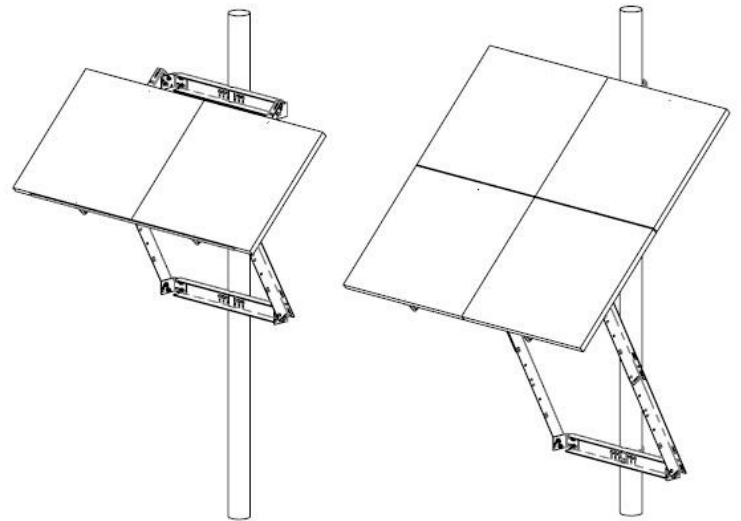
	TPSM-5-10-SP	TPSM-30-80-SP	TPSM-70x4-UNI	TPSM-80x4-UNI
<b>Solar Panel Width</b>	Up to 14”	16” to 26”	Up to 54”	
<b>Typical Solar Panel Size</b>	5W to 10W	30W to 80W	120W to 320W	
<b>Solar Panel Mount Type</b>	Edge Clip	Edge Clip	Bolt Holes – 27.5” to 31.1” Center to Center	Edge Clip
<b>Pole Diameter</b>	1” to 2”	1.6” to 4.5”	2” to 4.5”	2” to 4.5”
<b>Pole Attach</b>	U-Bolt	Stainless Steel Hose Clamp (5/16” driver)		
<b>Wind Speed Rating</b>	90MPH	110MPH	90MPH	
<b>Shipping Weight</b>	0.26kg (0.6lb)	1.6kg (3.5lb)	10.6kg (23.3lb)	
<b>Shipping Dimensions</b>	108 x 89 x 32mm (4.25 x 3.5 x 1.25”)	686 x 102 x 102mm (27” x 4” x 4”)	1372 x 152 x 127mm (54” x 6” x 5”)	
<b>Tilt Adjustment</b>	Fixed 45°	0° to 90°	15° to 65°	
<b>Warranty</b>	2 Years			



**TPSM-30-80-SP**



**TPSM-70x4-UNI  
TPSM-80x4-UNI**



**System Ordering:**

- TPSM-5-10-SP** Side of pole mount for one 5W to 10W solar panel
  - TPSM-30-80-SP** Side of pole mount for one 30W to 80W solar panel
  - TPSM-70x4-UNI** Side of pole mount for one to two 120W-130W solar panels or two to four 70W Solar Panels
  - TPSM-80x4-UNI** Side of pole mount for one to two 120W-130W panels or two to four 80W Solar Panels.
- Universal solar panel edge clips.

**For further information contact:**

[Tyconpower.com](http://Tyconpower.com)



14641 S 800 W Ste A  
Bluffdale, UT 84065  
PH: 801-432-0003  
FAX: 801-618-4220