

Products (/products/) > Connectivity (/products/network-connectivity/) > Fiber Telecom (T1/E1/PRI, Analog and ISDN) (/products/network-connectivity/#28) > Analog (POTS) FXS/FXO Fiber Products (/products/network-connectivity/#28) > FiberPlex TDU-4000

[View Printable \(/products/product_detail.asp?id=607&v=print\)](/products/product_detail.asp?id=607&v=print)

Analog (POTS) FXS/FXO Fiber Products

FiberPlex TDU-4000 Telephone Disconnect Unit for POTS (FXO/FXS) for positive disconnect of instrument while on hook; supports fax, STE and STU equipment



FiberPlex

TDU-4000 Telephone Disconnect Unit provides security to telephone devices by preventing signal leaking and tapping when phones are "on-hook".

Overview

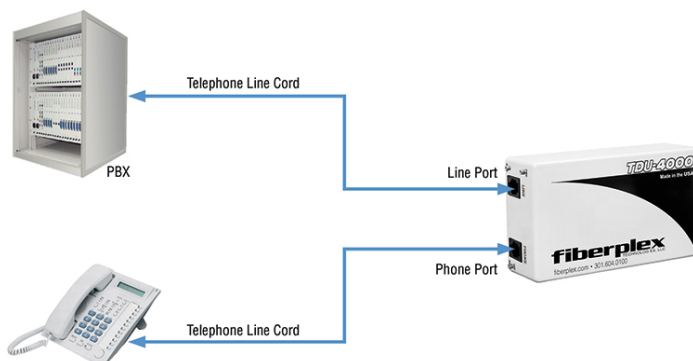
The TDU-4000 provides protection for phones from being used as clandestine listening devices by electrically disconnecting the telephone line from the phone when the phone is in the "on hook" position.

During disconnect the telephone line is left open, while the voice path on the phone is grounded. This disables room audio from being transmitted onto the telephone line to prevent any eavesdropping. The phone will only connect to the telephone line when it is in the "off hook" position. The "off hook" detect and "ring" detect signals are also opto-isolated from the phone.

The TDU-4000 is part of the FOI line of products designed for ruggedized MIL applications. It is housed in the familiar FOI shielded enclosure. For standalone applications it can be powered by adding a PSQ-3909 AC supply or a PSQ-3920 DC power supply (not included). Optionally, up to 8 units can be mounted on CMA chassis adapters and installed in an RMC-3101 rack mount chassis.

Applications

A typical link consists of one TDU-4000 with connections to the POTS line and to the subscriber's phone. Patton recommends "R" units for high security applications because the units have added shielding and filtering for RFI suppression.



Features

- These units prevent the propagation of signals when phone is on-hook
- Supports rates from DC to 1 Mbps
- Compatible with standard POTS phones, STU-III phones, fax machines and modems

Specifications

The specifications for this product are contained in the User Manual

Ordering

#	Model #	Description	Availability
1	TDU-4000	Telephone disconnect unit for Phone, Fax, Data, STU and STE equipment, 0-56 Kb, one line interface, one instrument interface, TSG-6 listed	General Availability
	+ Accessories		
2	TDU-4000-R	Telephone disconnect unit for Phone, Fax, Data, STU and STE equipment, 0-56 Kb, one line interface, one instrument interface, RFI suppressed, TSG-6 listed	General Availability
	+ Accessories		

Item Number	Item Description	Price
SVC-SmartCare-BH (/support/support.asp)	Premium Support for Business Hours	Contact us (/howtobuy/) for availability and pricing.
SVC-SmartCare-24/7 (/support/support.asp)	Premium Support, 24 x 7 Coverage	Contact us (/howtobuy/) for availability and pricing.
SVC-SmartAssist-BH (/support/support-professional.asp)	Business Hour Support Services	Contact us (/howtobuy/) for availability and pricing.
SVC-SmartAssist-AH (/support/support-professional.asp)	After Hours Support Services	Contact us (/howtobuy/) for availability and pricing.
SVC-ENHWAR1 (/support/support-warranty.asp)	1 Year Enhanced Warranty	Contact us (/howtobuy/) for availability and pricing.
SVC-ENHWAR2 (/support/support-warranty.asp)	2 Year Enhanced Warranty	Contact us (/howtobuy/) for availability and pricing.
SVC-ENHWAR3 (/support/support-warranty.asp)	3 Year Enhanced Warranty	Contact us (/howtobuy/) for availability and pricing.
SVC-ENHWAR4 (/support/support-warranty.asp)	4 Year Enhanced Warranty	Contact us (/howtobuy/) for availability and pricing.
SVC-ENHWAR5 (/support/support-warranty.asp)	5 Year Enhanced Warranty	Contact us (/howtobuy/) for availability and pricing.
SVC-EXTWAR2 (/support/support-warranty.asp)	2 Year Extended Warranty	Contact us (/howtobuy/) for availability and pricing.
SVC-EXTWAR3 (/support/support-warranty.asp)	3 Year Extended Warranty	Contact us (/howtobuy/) for availability and pricing.
SVC-EXTWAR4 (/support/support-warranty.asp)	4 Year Extended Warranty	Contact us (/howtobuy/) for availability and pricing.
SVC-EXTWAR5 (/support/support-warranty.asp)	5 Year Extended Warranty	Contact us (/howtobuy/) for availability and pricing.

SVC-NETENG-HOUR
 (/support/support-professional.asp) Network technician hour rate for pre-config services, after hours support, etc.

Contact us
 (/howtobuy/) for
 availability and
 pricing.

Backgrounders

FiberPlex Capabilities Guide (/backgrounders/FiberPlex_Capabilities_Statement.pdf)

October 6, 2017

Data Sheets

Patton Product Life Cycle Color Codes (/datasheet/Life-Cycle-Availability-Codes.pdf)

April 24, 2015

Product & Solution Guides

FiberPlex Connectivity Product Guide (/guides/07FPC-OV_lo-res.pdf)

August 24, 2018

Enterprise Networking Products Guide (/guides/07MENTNET-PG-lo.pdf)

November 10, 2010

User Manuals & Configuration Guides

FiberPlex Telephone Disconnect Unit TDU-4000 User Manual (/manuals/TDU-4000_User_Manual_170824.pdf)

August 25, 2017

Company (/company/)

- > Contact Us (/company/contact-us.asp)
- > About Patton (/company/about.asp)
- > Jobs (/company/careers/)
- > Capabilities (/products/special/services.asp)
- > Quality & Responsibility (/company/environment/)
- > Legal (/legal/)

News & Events

- > Press Room/Releases (/press/)
- > Training & Events (/training/)
- > Library/Downloads (/resources/)

Partners & Resources (/partners/)

- > Partner Programs (/partners/)
- > Resources (/resources/)
- > Blog (https://blog.patton.com)

Products

(/products/)

Unified Communications

> VoIP Gateways (/voip-gateway/#products)

> VoIP Routers (/voip-router/#products)

> VoIP IADs (/voip-iad/#products)

> SIP eSBCs (/session-border-controller/#products)

> VoIP Appliances (/ip-pbx/#products)

> SS7 Media Gateways (/ss7-gateway/#products)

> Virtual SBC (/virtual-sbc/#products)

> Virtual Access Router (/virtual-access-router/#products)

> VPN Server (/vpn-server/#products)

> IPv6 to IPv4 Network Gateway (/network-gateway/#products)

> Intelligent Edge Orchestration (/intelligent-edge-orchestration/#products)

> NFV & SDN (/nfv/#products)

Network Access

> Ethernet Extenders (/ethernet-extender/#products)

> Industrial Ethernet

Connectivity

> Line Drivers / Short Range Modems (/products/network-connectivity/#11)

> Fiber Serial DataCom (RS-232/422/530/188C)

(/products/network-connectivity/#27)

> Ethernet Over Fiber

(/products/network-connectivity/#23)

> Multiplexers & Sharing Devices (/products/network-connectivity/#12)

> Fiber Telecom (T1/E1/PRI, Analog and ISDN) (/products/network-connectivity/#28)

> Pro AV Live and Media Broadcast Fiber Systems (/products/network-connectivity/#29)

> SFP (Small Form Pluggable) Modules and Kits (/products/network-connectivity/#30)

> Fiber Alarming, Notification, Relay and Control (/products/network-connectivity/#24)

> Other Network Extenders (/products/network-connectivity/#13)

> Defense/Security Fiber Communications (/products/network-connectivity/#22)

> Baluns (/products/network-connectivity/#3)

> Surge Protectors & Opto-Isolators (/products/network-connectivity/#15)

> DataTaps, Testers, Adapters, Rack Kits (/products/network-connectivity/#7)

> Interface Converters

(/products/network-connectivity/#10)

> Fiber Rack and Enclosure Systems (/products/network-connectivity/#25)

- (/industrial-ethernet/#products) > Fiber Repeaters and Wavelength Division Multiplexers (WDM)
- > Unmanaged Industrial Ethernet Switch (/products/network-connectivity/#26) > Waveguide RF Filters
- (/unmanaged-industrial-ethernet-switch/#products) (/products/network-connectivity/#31)
- > Managed Industrial Ethernet Switch (/managed-industrial-ethernet-switch/#products)
- > PoE Industrial Switch (/poe-industrial-switch/#products)
- > PoE Products (/poe/#products)
- > xDSL Products (/xdsl/#products)
- > Routers (/router/#products)
- > Dial-Up Access (/dial-up/#products)

Sunset Products
 (/products/sunset-products.asp).

Support & Services (/support/)

- > Support Home (/support/)
- > Support Portal (/support/#portal)
- > Premium Support (/support/support.asp)
- > Software Upgrades (/support/upgrades/)
- > Warranty Services (/support/support-warranty.asp)
- > Returns & RMAs (/returns/)
- > Manuals (/manuals/)

Special Projects Group (SPG) (/products/special)

- > SPG Home (/products/special/)
- > Services & Capabilities (/products/special/services.asp)
- > Projects (/products/special/projects.asp)
- > Facilities (/products/special/facilities.asp)



Select your country


Sales: sales@patton.com (mailto:sales@patton.com) / +1 301 975 1000
 Support: support@patton.com (mailto:support@patton.com) / +1 301 975 1007

Have Us Contact You

or

Join Our Email List

Connect With Us




 (https://twitter.com/pattonconnect) (https://www.linkedin.com/companies/patton-electronics)