

## PoE Splitter / Voltage Converter

### Features

- Converts 24V Passive PoE input to 24VAC 52W output
- Runs cameras and other 24VAC devices from 24VDC PoE and battery systems
- Short Circuit, Over Current and Over Voltage Protection



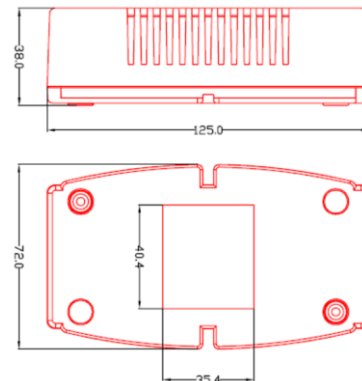
POE-SPLT-2424AC-G  
PoE Converter/Splitter

### Description

The POE-SPLT-2424AC-G Active splitters are unique Power over Ethernet adapters which convert a DC PoE input voltage to regulated 24VAC output. The output is provided on a 5.5/2.1mm DC Barrel Connector. Compatible with Gigabit Ethernet, inputs and outputs are isolated. They have various protections for surge, short circuit, overload and overvoltage. Requires a 4pair PoE input to achieve 52W output. Output is 60Hz Square Wave.

### Device Pinouts – 10/100/1000MB

RJ-45 Input (Data & Power)			RJ-45 Output (Data)	
Pin	Symbol	Description	Symbol	Description
1	BI_DA+, Vin +/-	Data RX+ / Power(+/-)	BI_DA+	Data RX(+)
2	BI_DA-, Vin +/-	Data RX- / Power(+/-)	BI_DA-	Data RX(-)
3	BI_DB+, Vin +/-	Data TX+ / Power(+/-)	BI_DB+	Data TX(+)
4	BI_DC+, Vin +/-	Data RX+ / Power(+/-)	BI_DC+	Data RX(+)
5	BI_DC-, Vin +/-	Data RX- / Power(+/-)	BI_DC-	Data RX(-)
6	BI_DB-, Vin +/-	Data TX- / Power(+/-)	BI_DB-	Data TX(-)
7	BI_DD+, Vin +/-	Data RX+ / Power(+/-)	BI_DD+	Data RX(+)
8	BI_DD-, Vin +/-	Data RX- / Power(+/-)	BI_DD-	Data RX(-)



### Specifications

<b>Output Voltage</b>	24VAC
<b>Output Current</b>	2.17A @24VAC
<b>Output Power</b>	52W with 4 pair PoE input
<b>Output Connector</b>	5.5/2.1mm DC Barrel (14" Cable)
<b>Load Regulation</b>	5%
<b>Line Regulation</b>	1%
<b>POE Input (RJ45)</b>	18-36V Passive PoE (4 pairs)
<b>Ethernet Speed</b>	10/100/1000MB
<b>Efficiency</b>	80% Min

<b>EMI Standards</b>	FCC Class B , NE55022 Class B
<b>Isolation Voltage</b>	1500VDC
<b>Isolation Resistance</b>	100M Ohms Minimum
<b>Operating Temperature</b>	-25 to +50°C (-13 to +122°F)
<b>Operating Humidity (RH)</b>	5% - 90% non condensing
<b>Storage Temperature</b>	-40 to +85°C (-40 to +185°F)
<b>Dimensions (LxWxH)</b>	125 x 75 x 38mm (4.9 x 3 x 1.5")
<b>Weight</b>	190g (6.7oz)
<b>Warranty</b>	3 Years

**Ordering: POE-SPLT-2424AC-G** Gigabit 24V Passive PoE IN, 24VAC 52W + Gigabit Data OUT

For further information contact:

[tyconsystems.com](http://tyconsystems.com)



14641 S 800 W  
Bluffdale, UT 84065  
PH: 801-432-0003  
FAX: 801-618-4220