

M-6026U-32

16-channel Universal Input and 16-channel Universal Output

Features

- Universal Inputs and Universal Outputs
- Status LED for Universal inputs and outputs
- Integrated Design Allows You to Take Advantage of Inputs and Outputs
- Any Universal I/O point can be configured as analog input/output, digital input or counter input
- 100 VDC Over Voltage Protection for Universal Inputs
- Open Wire Detection for +4 to +20 mA Outputs
- Support Modbus RTU Protocol
- Easy Mounting and Connection
- Space Saving Design
- Wide Operating Temperature Range: -25°C to +75°C



Introduction

The M-6026U-32 of distributed I/O provides a wide variety of input, output, and smart control solutions, all of which are based on a single universal hardware platform. The M-6026U-32 combines inputs and outputs, saving your time and space when both are at a premium. Since M-6032U-32 feature both inputs and outputs on the same board, retailers can reduce the space requirement for I/O boards by as much as 50%! Traditional I/O board schemes required retail operators to mount separate input and output boards within an enclosure, increasing the time and cost to mount the boards. The M-6000 I/O boards are communications devices needed to connect to the facility management system to control refrigeration, HVAC and lighting systems.

Applications

- Heating system in buildings
- Ventilation system
- Air-conditioning system
- HVAC control, lighting control, door monitoring

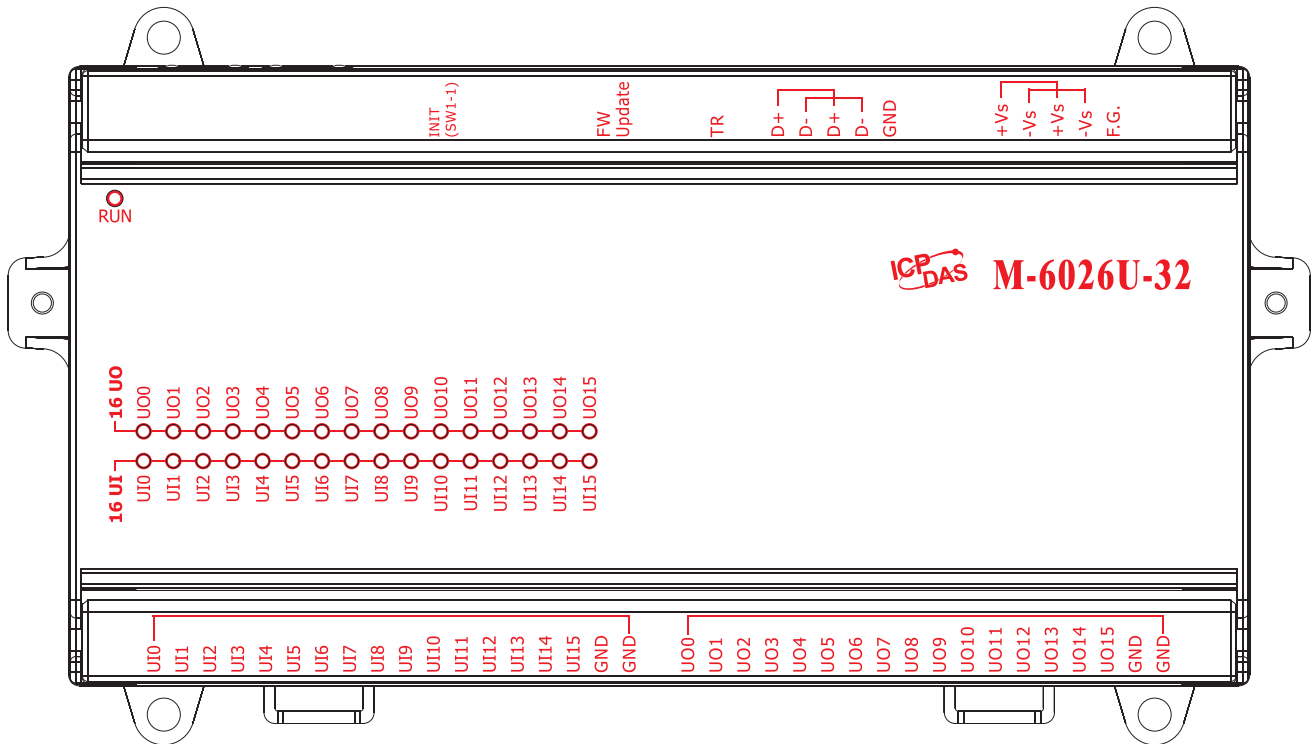
System Specifications

RS-485	
Interface	RS-485 x 1
Format	N, 8, 1
Baud Rate	1200 to 115200 bps
Protocol	Modbus/RTU
Dual Watchdog	Yes, Module (2.3 seconds), Communication (Programmable)
EMS Protection	
ESD (IEC 61000-4-2)	±4 kV Contact for each Terminal
	±8 kV Air for Random Point
Power Requirements	
Power from Terminal Block	24 VAC or 24 VDC
Fuse Protection	1 A
Power Consumption	14 W Max.
Mechanical	
Dimensions (W x L x H)	240 mm x 135 mm x 65 mm
Environment	
Operating Temperature	-25 to +75°C
Storage Temperature	-40 to +80°C
Humidity	10 to 95% RH, Non-condensing

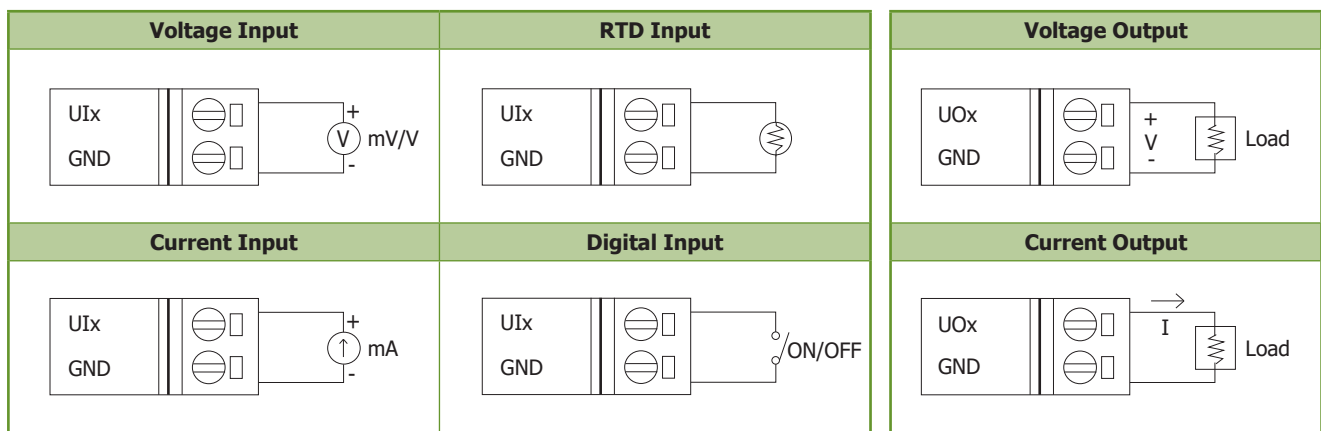
I/O Specifications

Universal Input		
Channels	16	
Type	0 ~ 2.5V, 0 ~ 5 V, 0 ~ 10 V, 0 to 20 mA, 4 to 20 mA, Pt1000, Dry Contact Digital Input	
Resolution	16-bit	
Accuracy	±0.1% of FSR	
Digital Input	On Level	Close to GND
	Off Level	OPEN
Over Voltage Protection	100 VDC	
Universal Output		
Channels	16	
Type	0 to 20 mA, 4 to 20 mA, 0 to 10 V	
Resolution	12-bit	
Accuracy	±0.2% of FSR	
Voltage Output Capability	10 V@ 20mA	
Open Wire Detection for Current Output	Yes, Only 4 to 20 mA	

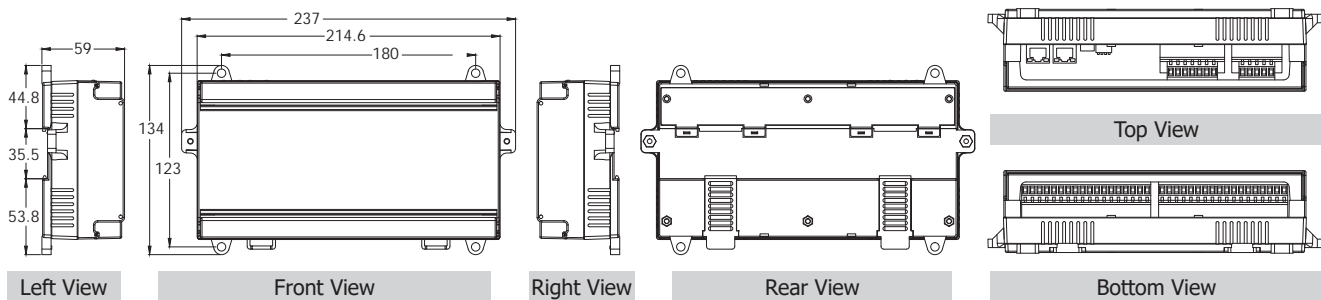
Pin Assignments



Wire Connections



Dimensions (Units: mm)



Ordering Information

M-6026U-32 CR	16-channel Universal Input and 16-channel Universal Output (RoHS)
----------------------	---