

LMX-C602G-SFP-V2 Series

6-Port Industrial Compact Gigabit Light Layer 3 Managed Ethernet Switch, with 4*10/100/1000Tx and 2*100/1000 SFP Slots



Features

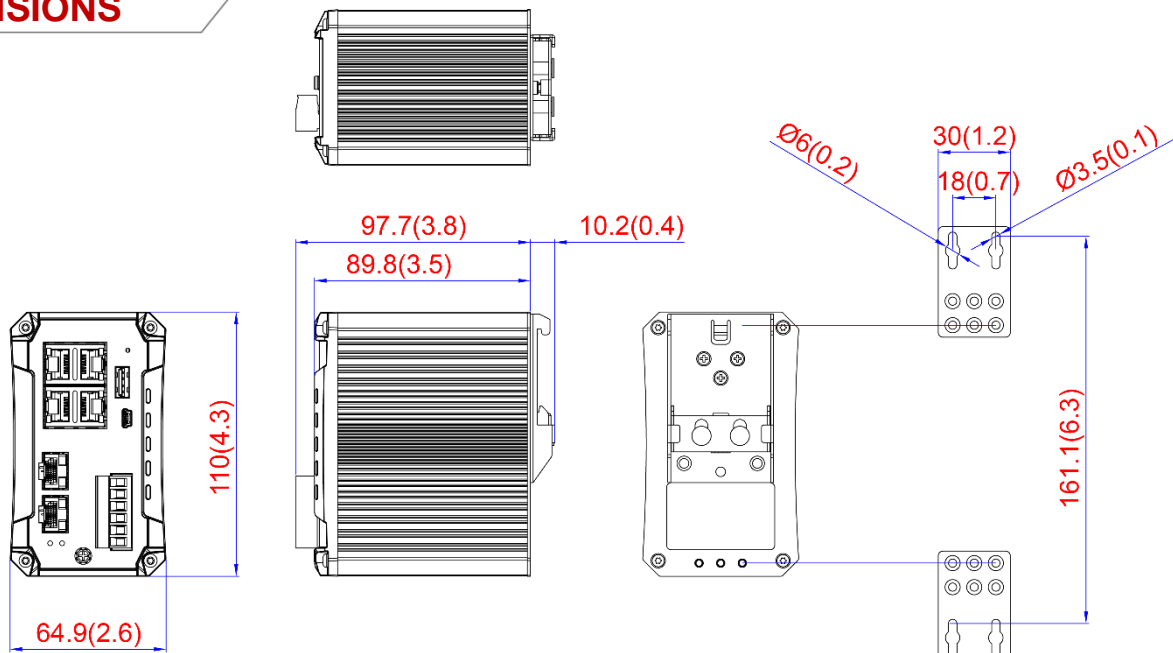
- ▶ Supports 4*10/100/1000Tx and 2*100/1000 SFP Slots
- ▶ Network Redundancy Support: RSTP/MSTP, and G.8032 ERPS (Recovery Time <50ms)
- ▶ Configuration: Web Console, Telnet, CLI Command
- ▶ Supports IGMP v1/v2/v3, up to 1024 Groups
- ▶ Supports QoS (IEEE802.1p) and CoS/ToS
- ▶ Supports IEEE802.1Q VLAN, SNMP v1/v2c
- ▶ Power Input: 12~48VDC in 6-Pin Terminal Block
- ▶ Reverse Polarity Protection
- ▶ IP40 Protection
- ▶ DIN-Rail or Wall Mountable
- ▶ Operating Temperature Range
 - STD: -10°C to 65°C, EOT: -40°C to 75°C
- ▶ 5-Year Warranty

INTRODUCTION

Antaira Technologies' LMX-C602G-SFP-V2 series is a 6-port industrial compact Gigabit managed Ethernet switch embedded with 4*10/100/1000Tx Ethernet ports and 2*100/1000Fx dual rate SFP slots for fiber connection. The LMX-C602G-SFP-V2 is a fully manageable light layer 3 Ethernet switch that is pre-loaded with a user-friendly web management console design. It supports the ring network redundancy function using the market's open standard ITU-T G.8032 Ethernet Ring Protection Switch (ERPS) protocol that has a <50ms network recovery time. The advanced network filtering and security functions, such as IGMP, VLAN, QoS, SNMP, RMON, Modbus TCP, and 802.1X/HTTPS/SSH/SSL increase determinism and improve network management for remote SCADA systems or control networks.

The LMX-C602G-SFP-V2 series is IP40 rated and DIN-rail mountable. There are also two wide operating temperature models for either a standard temperature range (STD: -10°C to 65°C) or an extended temperature range (EOT: -40°C to 75°C). It also provides high EFT and ESD protection for industrial networking applications, such as power/utility, water wastewater, oil/gas/mining, factory automation, security surveillance, ITS and any other outdoor or harsh environment. With a compact form and all connections facing the front of the Ethernet switch making it easy viewing of installations in a reserved space.

DIMENSIONS



Unit: mm (inch)

Din-rail

Wall-mount

SPECIFICATIONS

Technology	Port/MAC/Protocol/IP Subnet-based VLAN, VLAN trunking, GARP/GVRP, Loop Guard, Link Aggregation static/LACP, BPDU guard, Error disable recovery, IGMPv2 snooping, MLD snooping, IGMP filtering, IPMC throttling / filtering leave proxy, DHCP snooping, ARP, MEP, G.8032 v1/v2
L2 Switching	
L3 Switching	DHCP option82, static routes
QoS	802.1p Queueing, Input priority mapping, Storm control for Unicast/Multicast/Broadcast, Port/Queue/ACL policer, Port egress shaper, Queue egress shaper, DiffServ (DSCP), Tag remarking, Scheduler mode
Power Saving	ActiPHY, PerfectReach, IEEE 802.3az EEE power management
Network Redundancy	STP/RSTP/MSTP, port trunk with LACP, ERPS v1/v2 (<50ms)
Configuration System / Diagnostics	Http, Https, Telnet, SSH, CLI, TFTP, SNMP v3 Dual Image Protection, PING, PING6
Switch Properties	
Switch Architecture	Back-Plane (Switching Fabric): 12Gbps IPv4/IPv6, SNMP v1/v2c/v3, LLDP, LLDP-MED, HTTP, HTTPS, SSHv2 telnet, DHCP client, DHCPv6 client, DHCP server, Port Mirror, DNS client/proxy, IP based Access Filter, ICMPv6, syslog, Time Zone / Daylight Saving, NTP client, RMON, sFlow, Loop detection, Console Port, Power Lost Warning, Relay Trigger
Protocols	
Priority Queues	8
Processing Type	Store and Forward
Flow Control	IEEE 802.3x flow control, back pressure flow control
Transfer Rate	14,880pps for Ethernet Port 148,800pps for Fast Ethernet Port 1,488,000pps for Gigabit Ethernet Port
Memory Buffer	4Mbits
Jumbo Frame	9.6Kbytes
MAC Table Size	8K
VLAN Group	4095
IGMP Group	1024
Port Interface	
Ethernet Port	4*10/100/1000Base-TX Auto negotiation speed, Full/Half duplex mode, and auto MDI/MDI-X connection
SFP Port	2*100/1000 SFP Slots
RS232 Serial Console	1*Mini USB type B connector
LED Indicators	System: Power 1, Power 2, Master, Ring, and Status Ethernet Ports: Speed/Link/Active SFP Port: Link/Active

Protection	10Base-T: 2-pair UTP/STP Cat. 3, 4, 5 cable EIA/TIA-568 100-ohm (100m)
Network Cable	100Base-TX: 2-pair UTP/STP Cat. 5 cable EIA/TIA-568 100-ohm (100m) 1000Base-TX: 4-pair UTP/STP Cat.5/5E cable; EIA/TIA-568 100-ohm (100m)
Mechanical Characteristics	
Housing	Metal, IP40 protection
Dimensions	64.9 x 110 x 89.8 mm (W x H x D)
Weight	Unit: 2.29 lbs Shipping: 3.01 lbs
Mounting	DIN-Rail mounting, Wall mounting
Power Requirement	
Input Voltage	12~48VDC Redundant Input
Power Connection	1 removable 6-contact terminal block
Relay Contact	24VDC, 1A resistive
Overload Current Protection	Present
Reverse Polarity Protection	Present
System Power Consumption	10.8W
Environmental Limits	
Operating Temperature	STD: -10°C to 65°C EOT: -40°C to 75°C
Storage Temperature	-40°C to 85°C
Ambient Relative Humidity	5% to 95%, (non-condensing)
Regulatory Approvals	
EMI	FCC Part 15 Subpart B Class A, CE EN55032/EN61000-6-4 Class A
EMS	CE EN55035/EN61000-6-2 Class A, IEC61000-4-2,3,4,5,6,8
Free Fall	IEC60068-2-32
Shock	IEC60068-2-27
Vibration	IEC60068-2-6
Green	RoHS Compliant
Certifications	FCC, CE
Warranty	5 Years

ORDERING INFO

LMX-C602G-SFP-V2	6-Port Industrial Compact Gigabit Light Layer 3 Managed Ethernet Switch, with 4*10/100/1000Tx and 2*100/1000 SFP Slots
LMX-C602G-SFP-T-V2	6-Port Industrial Compact Gigabit Light Layer 3 Managed Ethernet Switch, with 4*10/100/1000Tx and 2*100/1000 SFP Slots; EOT: -40°C to 75°C