

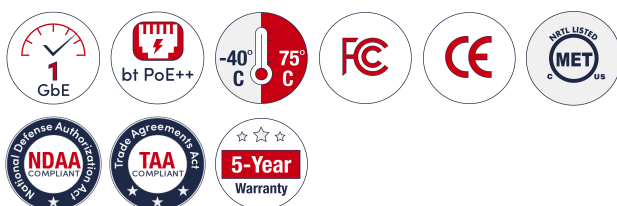
LEP-0302G-bt-67-T

IP67 GIGABIT 802.3bt POE++ EXTENDER OUTDOOR RATED INDUSTRIAL HARDENED



FEATURES

- Powered by bt PoE
- Support 3*10/100/1000BASE-TX Gigabit RJ45 with 2*PoE Out (2*PoE+ at 30W / 15W or 1*PoE++ at 60W)
- IEEE 802.3af/at/bt PoE++ Compliant
- Provides Up to 30 Watts on 2*PoE+ Ports Out
- Provides Up to 60 Watts on 1*PoE++ Port Out
- Extends PoE++ Distance by 100m for Up to 200m Total
- Daisy Chain Up to 4 Devices at a reduced overall PoE power budget based on distance and number of devices used
- Wall / Panel / Shelf Mountable
- Water Resistant Cable Glands
- Recommended for use with UV resistant, all-weather outdoor Ethernet cable for best performance
- Operating Temperature: -40°C to 75°C
- 5-Year Warranty



INTRODUCTION

The Antaira Technologies LEP-0302G-bt-67-T is an industrial, IP67-rated Ethernet extender designed for versatile Power over Ethernet (PoE) applications. It features a 1-port IEEE 802.3bt 90W PoE input. For output, it can provide either a single 60W Gigabit IEEE 802.3bt PSE port or two IEEE 802.3af/at 30W ports. This PoE extender is capable of increasing the overall PoE distance by an additional 100 meters, for a total reach of up to 200 meters. When daisy-chained with up to four other outdoor PoE++ extenders, the total distance can be extended up to a total 500 meters at a reduced PoE budget.

SPECIFICATIONS

Hardware Specifications

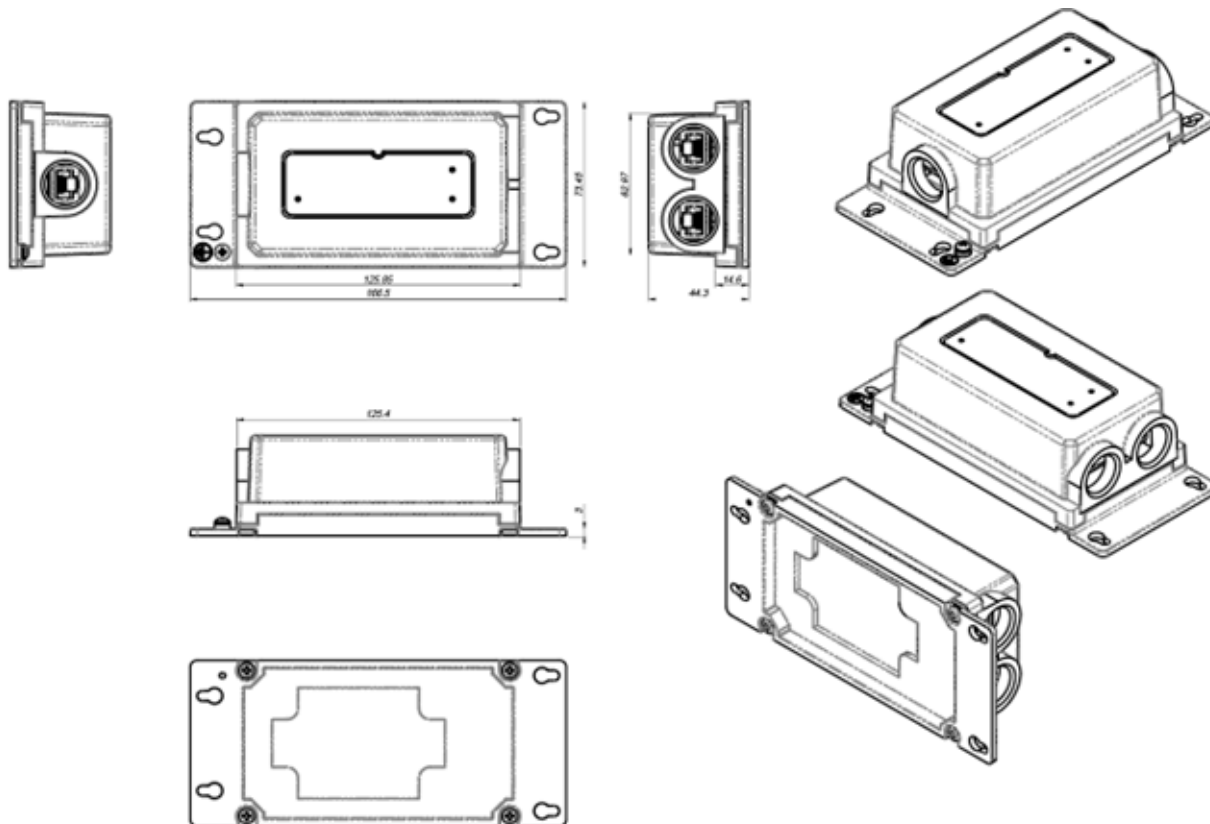
Part Number	Total Ports	RJ45 GE	PD Power Input	90W PoE++	PoE Power Output	Option		Operating Temp.
						60W PoE++	30W PoE+	
LEP-0302G-bt-67-T	3	3	Max 90W PoE	1 In	Max Total PSE Power Output 60W	1 Out	2 Out	-40 to 75°C -40 to 167°F

Physical Specifications

Part Number	Dimensions (W x H x D)	Weight (Unit)	Weight (Shipping)	Mounting	PoE LED Indicator
LEP-0302G-bt-67-T	166.5 x 73.45 x 44.3mm 6.55 x 2.89 x 1.74in	0.45kg 1.00lb	0.50kg 1.10lb	Wall / Panel / Shelf Mount	Yes

RJ45 Pin Assignment

	RJ45 Pin	Pin 1	Pin 2	Pin 3	Pin 4	Pin 5	Pin 6	Pin 7	Pin 8
LAN1	Data	BI_DA+	BI_DA-	BI_DB+	BI_DC+	BI_DC-	BI_DB-	BI_DD+	BI_DD-
	PoE In	V-	V-	V+	V+	V+	V+	V-	V-
LAN2	Data	BI_DA+	BI_DA-	BI_DB+	BI_DC+	BI_DC-	BI_DB-	BI_DD+	BI_DD-
	PoE Out	V-	V-	V+	V+	V+	V+	V-	V-
LAN3	Data	BI_DA+	BI_DA-	BI_DB+	BI_DC+	BI_DC-	BI_DB-	BI_DD+	BI_DD-
	PoE Out	V-	V-	V+			V+		



Standards

Part Number	IEEE Standards
LEP-0302G-bt-67-T	IEEE 802.3 10BASE-T Ethernet IEEE 802.3u 100BASE-T Fast Ethernet IEEE 802.3ab 1000BASE-T Gigabit Ethernet IEEE 802.3x Flow Control and Back Pressure IEEE 802.3af Power over Ethernet IEEE 802.3at Power over Ethernet plus IEEE 802.3bt Power over Ethernet plus plus

Switch Properties

Specification		Specification	
Switch Architecture	Back-Plane (Switching Fabric): 6Gbps	Jumbo Frame	9.0Kbytes
Processing Type	Store and Forward	MAC Table Size	2K
Flow Control	IEEE 802.3x flow control, back pressure flow control	Overload Current Protection	Present
Packet Buffer	1Mbit		
Protocol	CSMA/CD		

Compliance Specifications

Safety	MET (Complies with UL 62368-1)
EMC	CE, FCC
EMI	CISPR 32, FCC Part 15B Class A
EMS	IEC 61000-4-2,4,5
Vibration	EN 60068-2-6
Shock	EN 60068-2-27
Free Fall	EN 60068-2-32
IP67 Compliance	IEC / EN60529
Storage Temperature	-40 to 85°C (-40 to 185°F)
Ambient Relative Humidity	5% to 95%, (non-condensing)
Country of Origin	Made in Taiwan - NDAA / TAA Compliant
Warranty	5 Years

Mean Time Between Failures (MTBF)

Part Number	MTBF
LEP-0302G-bt-67-T	522,126 hrs. at 50°C

ORDERING INFORMATION

Switch Models

Part Number	Description
LEP-0302G-bt-67-T	Industrial IP67 Gigabit 802.3bt PoE++ Extender; EOT: -40°C to 75°C

© Antaira Technologies, LLC. All rights reserved. 202511
Specifications are subject to change without notice and without incurring any obligation.