

I-9057P

16-channel Isolated Digital output Module

Features

- 16-channel Open Collector Output
- Sink-type Digital Output
- Channel Status LED Indicators
- Up to 60 VDC Overvoltage Protection
- Overload Protection
- Short-circuit Protection
- 4 kV ESD Protection
- Wide Operating Temperature Range: -25 to +75°C



Introduction

The I-9057P module offers 16 digital output channels, each of which features Photocouple isolation and supports sink-type output using an open collector. In addition, 16 LED indicators are included to monitor the status of digital output channels. The I-9057P integrates over-current, over-voltage and short-circuits protections for industrial use. 4 kV ESD protection and 3750 Vrms intra-module isolation are also provided as standard.

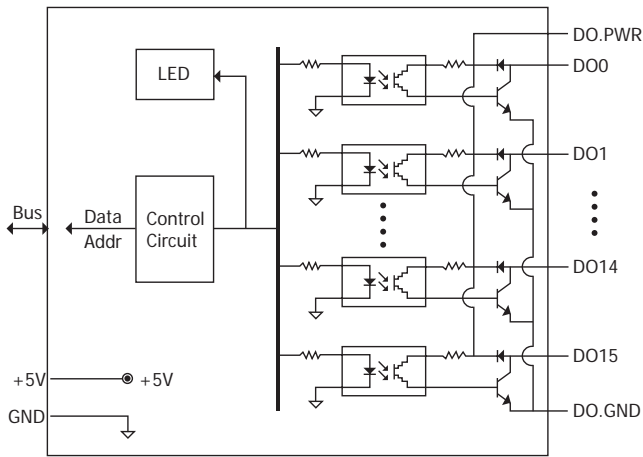
System Specifications

Model	I-9057P
LED Display	
System LED Indicators	1 LED as Power Indicator
I/O LED Indicator	16 LEDs as Digital Input Indicators
Isolation	
Intra-module Isolation, Field to logic	3750 Vrms
EMS Protection	
ESD(IEC 61000-4-2)	±4 kV Contact for Each Terminal
	±8 kV Air for Random Point
Power	
Power Consumption	1 W Max.
Mechanical	
Dimensions (L × W × H)	144 mm × 31 mm × 134 mm
Environment	
Operating Temperature	-25 ~ +75°C
Storage Temperature	-40 ~ +85°C
Humidity	10 ~ 90% RH, Non-condensing

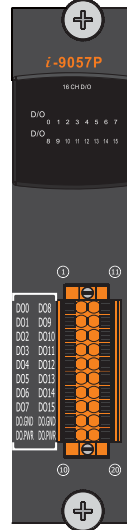
I/O Specifications

Model	I-9057P
Digital Output	
Channels	16
Sink/Source (NPN/PNP)	Sink
Output Type	Isolated Open Collector
Max. Load Current	100 mA/Channel
Load Voltage	+10 VDC ~ +50 VDC
Overvoltage Protection	60 VDC
Overload Protection	1.1 A
Short-circuit Protection	Yes

Internal I/O Structure

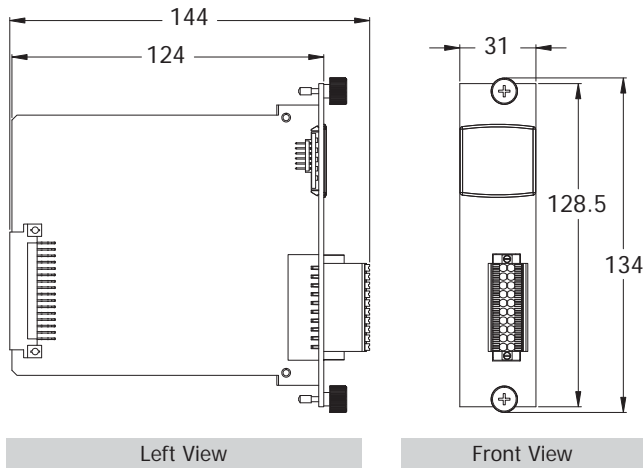


Pin Assignments



Pin Assignment	Terminal No.	Pin Assignment
DO0	01	11
DO1	02	12
DO2	03	13
DO3	04	14
DO4	05	15
DO5	06	16
DO6	07	17
DO7	08	18
DO.GND	09	19
DO.PWR	10	20

Dimensions (Units: mm)



Wire Connections

Output Type	ON State LED ON Readback as 1	OFF State LED OFF Readback as 0
	Relay ON	Relay OFF
Drive Relay		
Resistance Load		

Ordering Information

I-9057P CR	16-channel Isolated Digital output Module (RoHS)
-------------------	--