

I-9041P

32-channel Isolated Digital Output Module

Features

- 32-channel Open Collector Output
- Sink-type Digital Output
- Channel Status LED Indicators
- Up to 60 VDC Overvoltage Protection
- Overload Protection
- Short-circuit Protection
- 4 kV ESD Protection
- Optional Daughter Boards for Easy Field Wiring
- Wide Operating Temperature Range: -25 to +75°C



Introduction

The I-9041P is a 32-channel sink-type digital output module. Each output channel is compatible with +10 VDC to +50 VDC signals, based on the external power supply. 32 LED indicators are provided to display the on/off status of every channel. Short circuit protection, overvoltage protection and overload protection are also included.

The I-9041P features 3750 Vrms field to logic isolation and 4 kV ESD protection, but doesn't provide channel-to-channel isolation. It can be paired with a daughterboard, such as the DN-37-381-A for easy wiring, or the DN-8K32R for relay output, to connect to a wide range of industrial switches and devices.

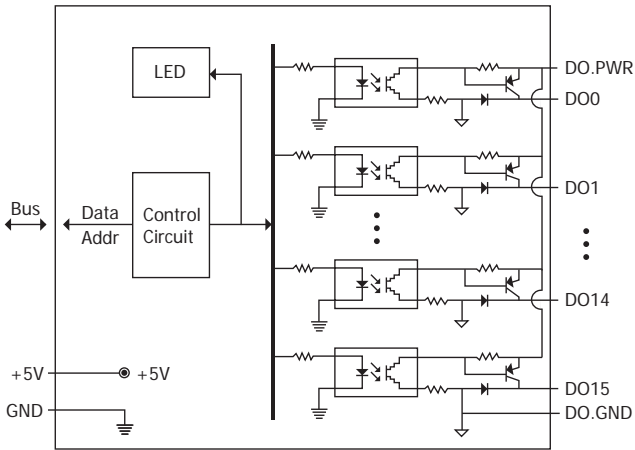
System Specifications

Model	I-9041P
LED Display	
System LED Indicators	1 LED as Power Indicator
I/O LED Indicator	32 LEDs as Digital Output Indicators
Isolation	
Intra-module Isolation, Field to logic	3750 Vrms
EMS Protection	
ESD(IEC 61000-4-2)	±4 kV Contact for Each Terminal
	±8 kV Air for Random Point
Power	
Power Consumption	1.5 W Max.
Mechanical	
Dimensions (L x W x H)	144 mm x 31 mm x 134 mm
I/O Connector	37-pin D-sub Connector
Environment	
Operating Temperature	-25 ~ +75°C
Storage Temperature	-40 ~ +85 °C
Humidity	10 ~ 90% RH, Non-condensing

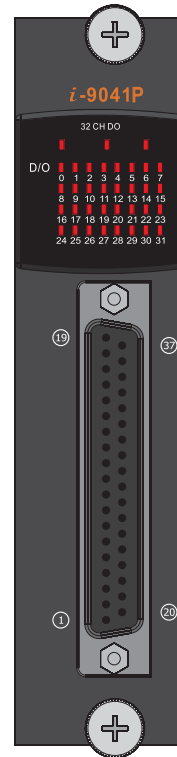
I/O Specifications

Model	I-9041P
Digital Output	
Channels	32
Sink/Source (NPN/PNP)	Sink
Output Type	Isolated Open Collector
Max Load Current	100 mA/Channel
Load Voltage	+10 VDC ~ +50 VDC
Overvoltage Protection	60 VDC
Overload Protection	1.1 A
Short-circuit Protection	Yes

Internal I/O Structure



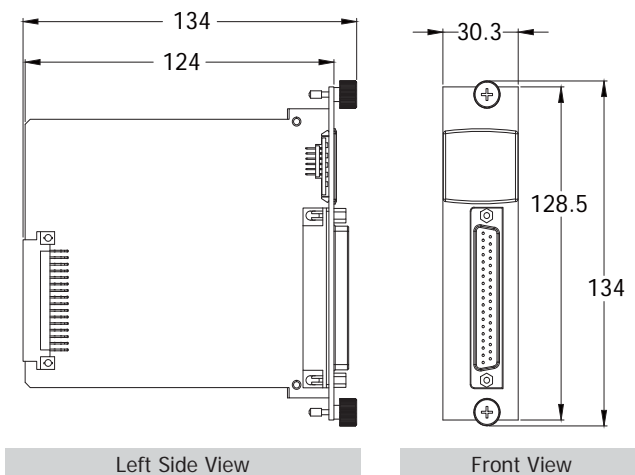
Pin Assignments



Pin Assignment	Terminal No.	Pin Assignment
DO.PWR	19	37 DO.PWR
DOt.GND	18	36 DO.GND
DO.GND	17	35 DO_31
DO_15	16	34 DO_30
DO_14	15	33 DO_29
DO_13	14	32 DO_28
DO_12	13	31 DO_27
DO_11	12	30 DO_26
DO_10	11	29 DO_25
DO_9	10	28 DO_24
DO_8	09	27 DO_23
DO_7	08	26 DO_22
DO_6	07	25 DO_21
DO_5	06	24 DO_20
DO_4	05	23 DO_19
DO_3	04	22 DO_18
DO_2	03	21 DO_17
DO_1	02	20 DO_16
DO_0	01	

37-pin Male D-sub Connector

Dimensions (Units: mm)



Wire Connections

Output Type	ON State LED ON Readback as 1	ON State LED OFF Readback as 0
Digital Output (Drive Relay)		
Digital Output (Resistance Load)		

Ordering Information

I-9041P CR	32-channel Isolated Digital Output Module (RoHS)
------------	--------------------------------------------------

Accessories

DN-8K32R	32-channel Relay Output Board Including One CA- 3705A (37-pin Male-Female D-sub Cable, 0.5M)	CA-3710AM	DN-37 Male-Female D-sub cable 1M (Moding) Cable for Daughter Board (45°)
DN-37-A	I/O Connector Block with DIN-Rail Mounting and 37-pin D-sub Connector (pitch: 5.08 mm) Including One CA-3710A (37-pin Male-Female D-sub Cable, 1.0M)	CA-3720AM	DN-37 Male-Female D-sub cable 2M (Moding) Cable for Daughter Board (45°)
DN-37-381-A	I/O Connector Block with DIN-Rail Mounting and 37-pin D-sub Connector (pitch: 3.81 mm) Including One CA- 3710A (37-pin Male-Female D-sub Cable, 1.0M)	CA-3730AM	DN-37 Male-Female D-sub cable 3M (Moding) Cable for Daughter Board (45°)
		CA-3750AM	DN-37 Male-Female D-sub cable 5M (Moding) Cable for Daughter Board (45°)
		CA-37100AM	DN-37 Male-Female D-sub cable 10M (Moding) Cable for Daughter Board (45°)