



**Model:I-87064**



**Model:I-87064-G**

# I-87064/I-87064-G

8-channel Power Relay Output Module

## Specifications

### Digital Output

Output Channels	8
Output Type	Power Relay, Form A (Normal Open)
Operating Voltage Range	5 ~ 240VAC (47~63Hz) 5 ~ 24VDC
Relay Contact Voltage Range	0~ 250VAC (47~63Hz) 0~ 30VDC
Max. load Current	5.0 Arms
Max. Operate Time	6 ms Max.
Max. Release Time	3 ms Max.
Insulation Resistance	Min. 1,000 MOhms, at 500VDC
Dielectric Strength	Between Open Contacts : 750Vrms (at 1 Minute) Between Coil and Contacts : 2000Vrms (at 1 Minute)
Surge Strength	4000V (at 1.2*50us)
Relay Life	Mechanical : 2*10,000,000 Min. Electrical : 100, 000 min. , Resistive

### LED Display

1 LED as Power/ Communication Indicator  
8 LEDs as Power Relay Indicators

### Power

Power Consumption 2.4W

### Environment

Operating Temperature -25 to 75 °XC  
Storage Temperature -30 to 75 °XC  
Humidity 5 to 95%, Non-condensing

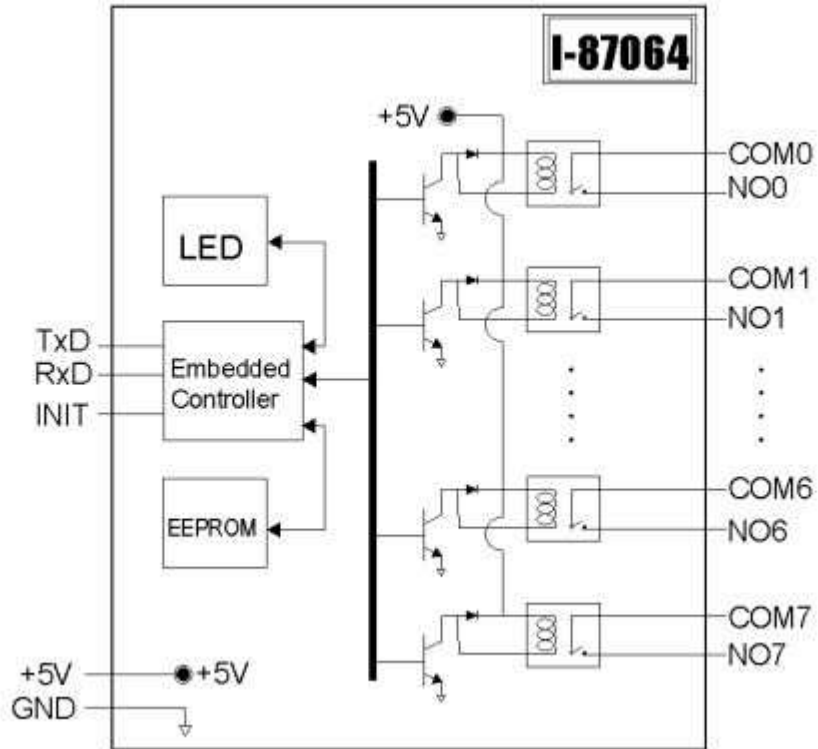
### Dimensions

## Ordering information

I-87064	8-channel Power Relay Output Module (Blue Cover)
I-87064-G	8-channel Power Relay Output Module (Gray Cover)
I-87064 CR	8-channel Power Relay Output Module (Blue Cover) (RoHS)
I-87064-G CR	8-channel Power Relay Output Module (Gray Cover) (RoHS)

# I-87064/I-87064(G) Hardware

## Internal I/O Structure



# PIN Assignment

Terminal No.	Pin Assignment Name
01	NO0
02	COM0
03	NO1
04	COM1
05	-
06	NO2
07	COM2
08	NO3
09	COM3
10	-
11	NO4
12	COM4
13	NO5
14	COM5
15	-
16	NO6
17	COM6
18	NO7
19	COM7
20	-

# Wire Connection

Output Type	ON State LED ON Readback as 1	OFF State LED OFF Readback as 0
	Relay ON	Relay Off
Relay Contact		