

I-87040/I-87040-G

32-channel Isolated Digital Input Module



Model:I-87040



Model:I-87040-G

Specifications

Digital Input

Input Channels	32 (Sink/ source)
Input Type	Isolation, One Common for All Digital Inputs
On Voltage Level	+3.5V ~ 30V
Off Voltage Level	+1V max
Input Impedance	3K Ohms, 0.33W
Counters	Channels: 32 Max. Input Frequency: 100Hz Min. Pulse Width: 5ms
Intra-module Isolation, Field to Logic	3750Vrms

LED Display

1 LED as Power/ Communication Indicator
32 LEDs as Digital Input Indicators

Power

Power Consumption	1.5W
-------------------	------

Environment

Operating Temperature	-25 to 75 °XC
Storage Temperature	-30 to 75 °XC
Humidity	5 to 95%, Non-condensing

Dimensions



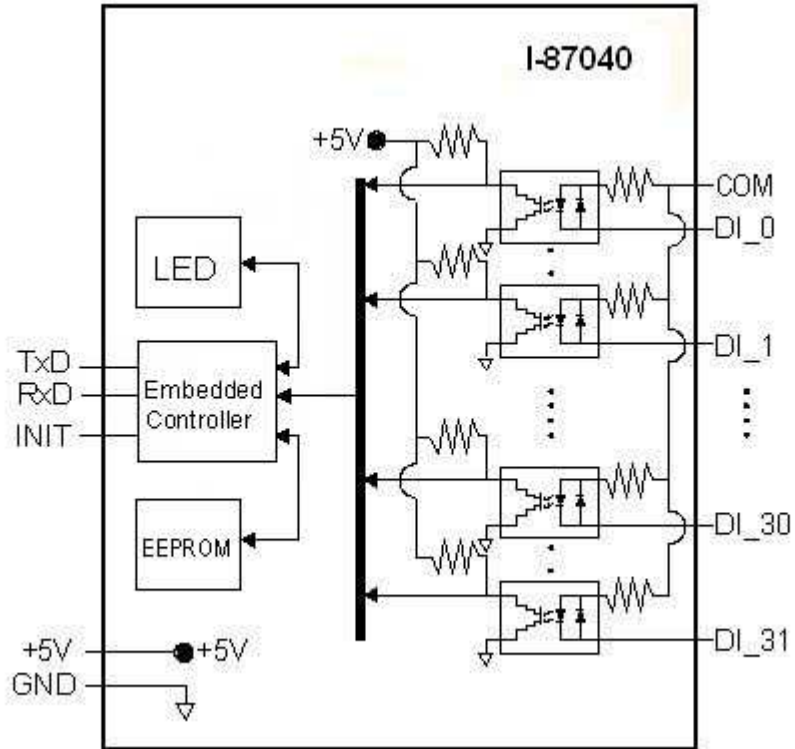
I-8040/41/42 and I-87040/41 with DN-37-381-A

Ordering information

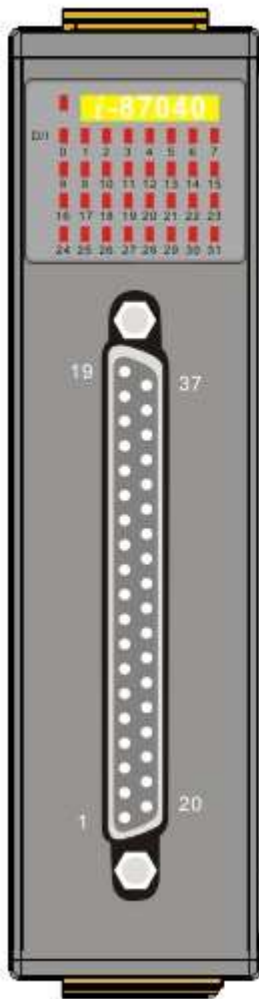
I-87040	32-channel Isolated Digital Input Module (Blue Cover)
I-87040-G	32-channel Isolated Digital Input Module (Gray Cover)
I-87040 CR	32-channel Isolated Digital Input Module (Blue Cover) (RoHS)
I-87040-G CR	32-channel Isolated Digital Input Module (Gray Cover) (RoHS)

I-87040/I-87040(G) Hardware

Internal I/O Structure



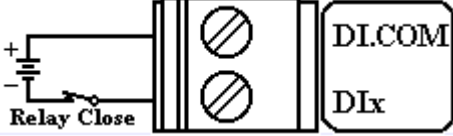
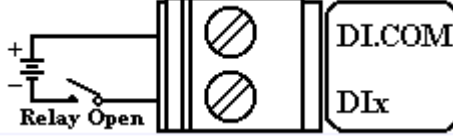
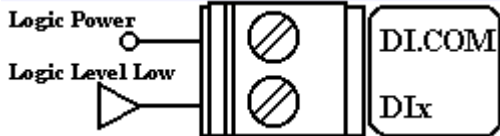
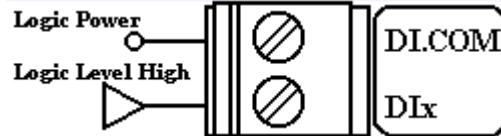
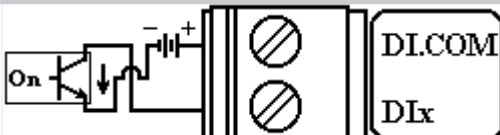
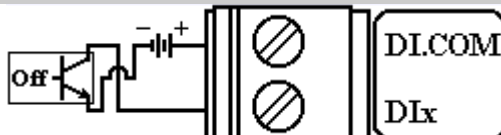
PIN Assignment



Pin Assignment Name	Terminal No.	Pin Assignment Name
COM	19	37
NC	18	36
NC	17	35
DI_15	16	34
DI_14	15	33
DI_13	14	32
DI_12	13	31
DI_11	12	30
DI_10	11	29
DI_9	10	28
DI_8	09	27
DI_7	08	26
DI_6	07	25
DI_5	06	24
DI_4	05	23
DI_3	04	22
DI_2	03	21
DI_1	02	20
DI_0	01	
		COM
		NC
		DI_31
		DI_30
		DI_29
		DI_28
		DI_27
		DI_26
		DI_25
		DI_24
		DI_23
		DI_22
		DI_21
		DI_20
		DI_19
		DI_18
		DI_17
		DI_16

37-pin Male D-Sub Connector

Wire Connection

Input Type	ON State LED ON Readback as 1	OFF State LED OFF Readback as 0
Relay Contact	Relay ON 	Relay Off 
TTL/CMOS Logic	Voltage < 1V 	Voltage > 3.5V 
NPN Output	Open Collector On 	Open Collector Off 
PNP	Open Collector On	Open Collector Off