



Digital Output

Features

- Digital Outputs for source Type
- Photocouple Isolation
- 4 kV ESD Protection
- Dual Watchdog
- Power-on Value Setting
- Safe Value Setting
- Short Circuit Protection
- 3750 Vdc Intra-Module Isolation
- Wide Operating Temperature Range: -25 °C ~ 75 °C
- RoHS Compliance



Introduction

The I-87037W provides 16 channels for digital output, each of which features photocouple isolation. The I-87037W supports source type output with short circuit protection. 4 kV ESD protection and 3750 VDC intra-module isolation are also provided.

Applications

- Industrial Automation
- Industrial Machinery
- Building Automation
- Food and Beverage Systems
- Semiconductor Fabrication
- Control Systems

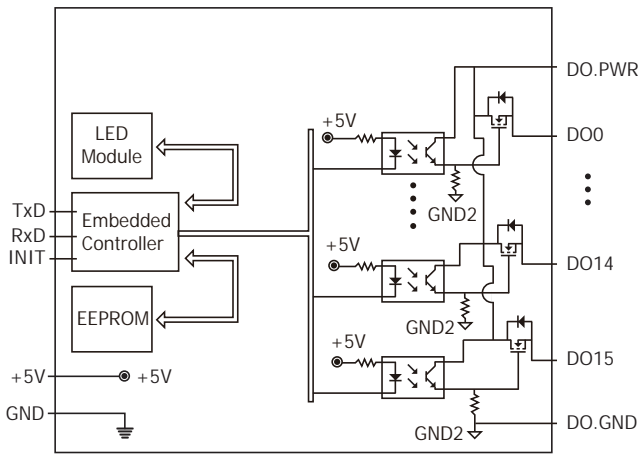
I/O Specifications

Digital Output	
Output Channels	16 (Source)
Type	Isolated Open Collector (Source)
Max Load Current	700 mA/Channel
Load Voltage	+10 Vdc ~ +40 Vdc
Overvoltage Protection	47 Vdc
Overload Protection	Yes
Short Circuit Protection	Yes
Power-on Value	Yes, Programmable
Safe Value	Yes, Programmable

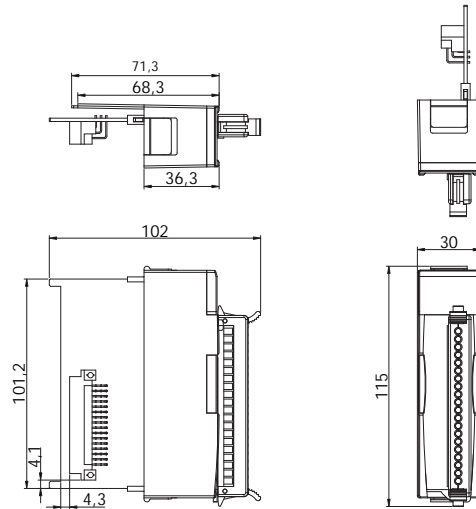
System Specifications

Interface	
Interface	RS-485
Format	N, 8, 1
Baud Rate	1200 ~ 115200 bps
Watchdog	
Dual Watchdog	Yes, Module (1.6 seconds) and Communication (Programmable)
LED Display	
	1 LED as Power/ Communication indicator 16 LEDs as Digital Input Indicators
Power	
Power Consumption	0.41 W
Environment	
Operating Temperature	-25 °C ~ +75 °C
Storage Temperature	-40 °C ~ +85 °C
Humidity	10 ~ 95% RH, Non-condensing
Dimensions	
	30 mm x 102 mm x 115 mm (W x L x H)

Internal I/O Structure



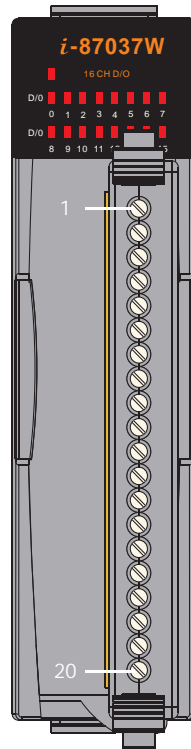
Dimensions (Units: mm)



Wire Connections

Output Type	ON State LED ON Readback as 1	OFF State LED OFF Readback as 0
	Relay ON	Relay Off
Drive Relay		
Resistance Load		

Pin Assignments



Terminal No.	Pin Assignment
01	DO0
02	DO1
03	DO2
04	DO3
05	DO4
06	DO5
07	DO6
08	DO7
09	DO8
10	DO9
11	DO10
12	DO11
13	DO12
14	DO13
15	DO14
16	DO15
17	DO.GND
18	DO.GND
19	DO.PWR
20	DO.PWR

Ordering Information

I-87037W-G CR	16-channel source type Isolated Digital Output Module(RoHS)
---------------	---

Related Products

Converters	USB, RS-232, Fiber Optical to RS-485 Converters and Repeaters
Power Supply	24 Vdc Power Supply
Relay Module	External Relay Modules for 87000 DO Modules
Learning Kit	Beginner Learning Kit
Application Books	Application Books Designed for Our Products
Data Logger Software	User Friendly Data Logger Software (free)