



Model:I-8064

Model:I-8064(G)

I-8064/I-8064(G)

8-channel Power Relay Output Module

Specifications & Features

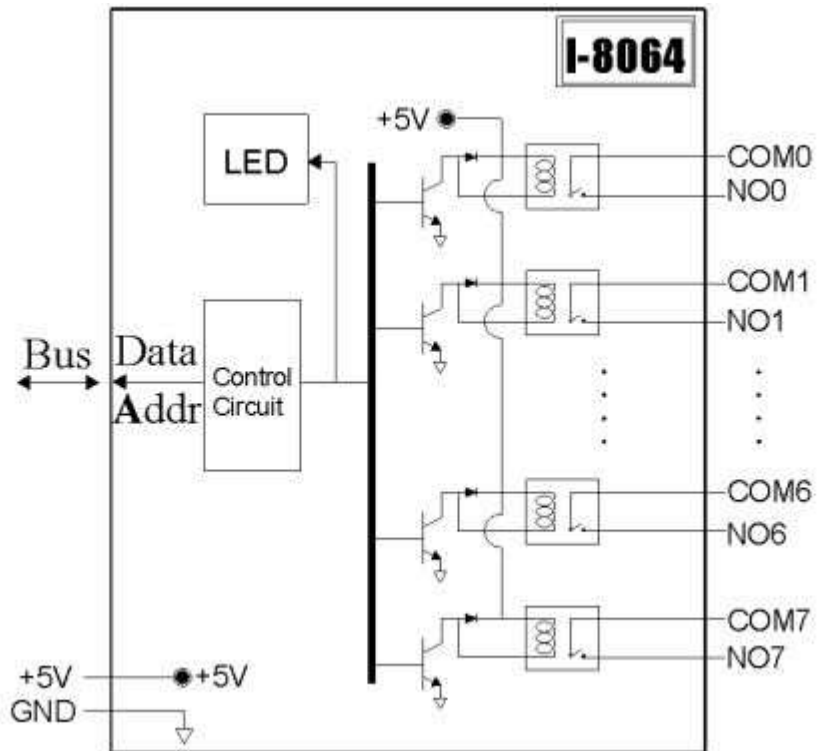
- **Parallel I/O Module**
- Digital Output Channels:8
- Form A x 8 channels
- Contact Rating
AC: 250V @5A
DC:30V @ 5A
- Insulation resistance: 1000MW min at 500Vdc
- LED indicator for each digital output
- 7000 command compatible
- support dual watchdog function
- support power-up value for each digital output
- support safe value for each digital output
- Power Consumption: 2.2W

Ordering information

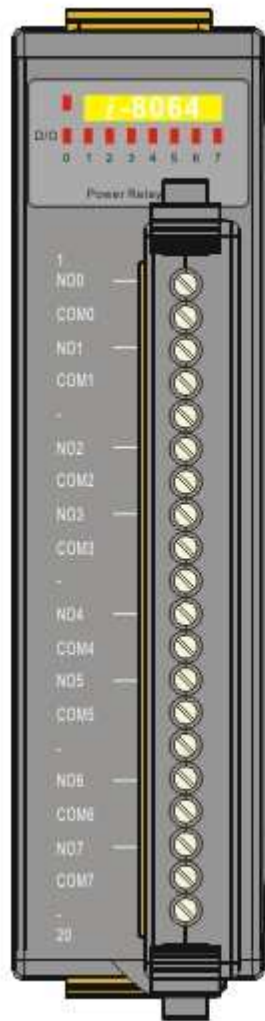
I-8064	8-channel Power Relay Output Module
I-8064 CR	8-channel Power Relay Output Module (RoHS)

I-8064 Hardware

Internal I/O Structure



PIN Assignment



Terminal No.	Pin Assignment Name
01	NO0
02	COM0
03	NO1
04	COM1
05	-
06	NO2
07	COM2
08	NO3
09	COM3
10	-
11	NO4
12	COM4
13	NO5
14	COM5
15	-
16	NO6
17	COM6
18	NO7
19	COM7
20	-