



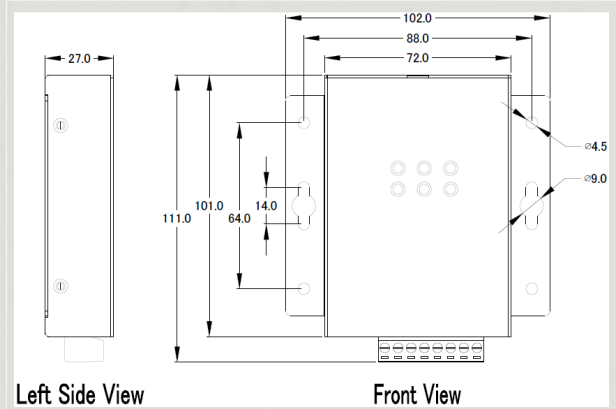
CAN Series Products



High Speed USB to CAN Bus Converter



I-7565M-HS



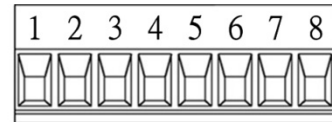
Dimensions

I-7565M-HS is a high speed USB to CAN converter with two CAN channels. It improves the transformation speed of other I-7565 series, and allows receiving max. 15000 standard 2.0A CAN frames per second. I-7565M-HS support CAN2.0A/2.0B protocol and different baud rates from 10 kbps to 1000 kbps. When connecting I-7565M-HS to PC, PC will load the relevant device driver automatically (hot plug & play). Therefore, users can make data collection and processing of CAN Bus network easier and quicker by applying I-7565M-HS. The application fields can be CAN Bus monitoring, building automation, remote data acquisition, environment control, etc.

Features

- Compatible with USB 2.0 (High Speed)
- Compatible with the ISO 11898-2 standard
- Support both CAN2.0A and CAN2.0B specifications
- No external power supply (powered by USB)
- Programmable CAN Bus baud rate from 10kbps to 1000kbps
- Support CAN Bus message filter configuration
- Timestamp of CAN message with at least $\pm 10\mu s$ precision
- Provide PWR, CAN Tx/Rx and CAN status indication LEDs
- Built-in dip-switch to select 120 ohm terminal resistor for CAN Bus
- Support firmware update via USB
- Provide utility tool for users module setting and CAN Bus communication testing conveniently
- Provide API library for user program development

Pin Assignments

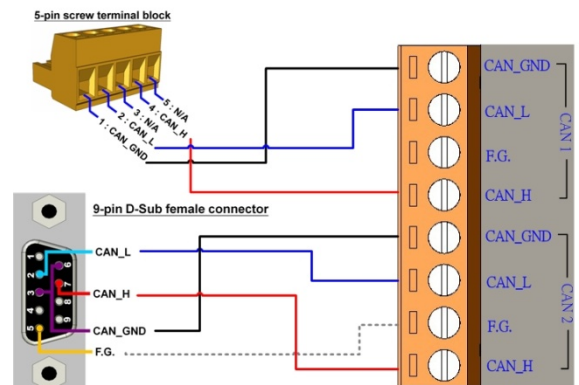


Pin No	Name	Description
1	CAN_GND	CAN ground of CAN1 port
2	CAN_L	CAN_Low bus line of CAN1 port.
3	F.G.	Frame Ground.
4	CAN_H	CAN_High bus line of CAN1 port.
5	CAN_GND	CAN ground of CAN2 port
6	CAN_L	CAN_Low bus line of CAN2 port.
7	F.G.	Frame Ground.
8	CAN_H	CAN_High bus line of CAN2 port.

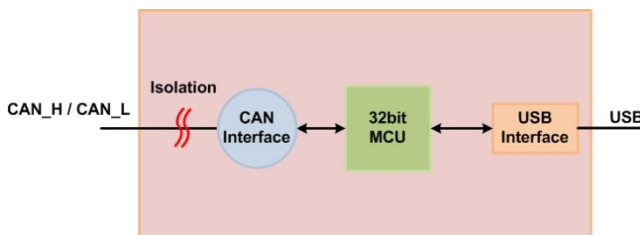
Wire Connection

Other CAN Devices

I-7565M-HS



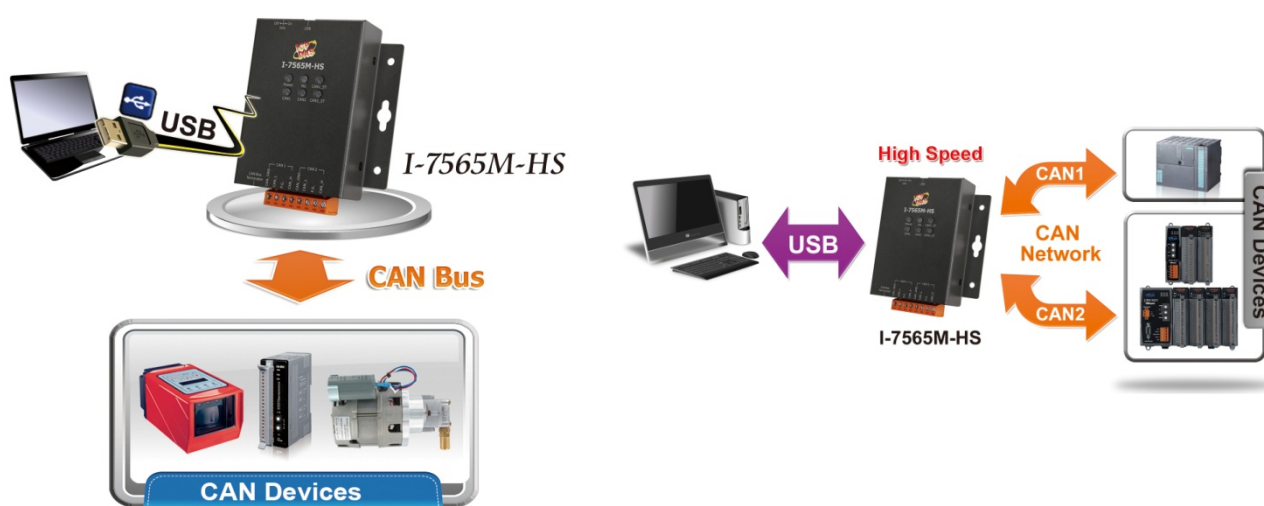
Block Diagram



Hardware Specifications

CAN Interface	
Transceiver	NXP TJA1042
Channel Number	2
Connector	8-pin terminal-block connector
Transmission Speed	10 ~ 1000 kbps
Terminal Resistor	DIP switch for the 120 Ω terminal resistor
Isolation	3000 VDC for DC-to-DC, 2500 Vrms for photocoupler
Specification	ISO-11898-2, CAN 2.0A and CAN 2.0B
CAN Filter Configuration	Selectable whitelist and blacklist CAN ID filter via Utility tool
Receive Buffer	512 data frames
Max Data Flow	15000 fps for Tx/Rx
USB Interface	
Connector	USB Type B x 1
Compatibility	USB 2.0 High Speed
Software Driver	Built-in Windows 2K/XP/7/8/10
LED	
Round LED	Power, MS, CAN1, CAN2, CAN1_ST, CAN2_ST LEDs
Power	
Power supply	USB power delivery
Power Consumption	1.5 W (Max.)
Mechanism	
Installation	Wall Mount
Casing	Metal
Dimensions	111.0 mm x 102.0 mm x 27.0 mm (W x L x H)
Environment	
Operating Temperature	-25 ~ 75 °C
Storage Temperature	-30 ~ 80 °C
Humidity	10 ~ 90% RH, non-condensing

Application



Ordering Information

I-7565M-HS CR	High Speed USB to 2-port CAN Bus Converter (RoHS)
----------------------	---