



I-7565M-FD

(USB to 2-port CAN/CAN FD Bus Converter)

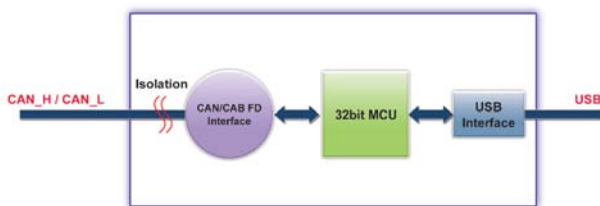
Introduction

I-7565M-FD is a USB to CAN/CAN FD (CAN with Flexible Data-Rate) converter with two CAN channels. It allows transmitting/receiving CAN/CAN FD frames and supports CAN2.0A/2.0B and CAN FD (ISO/Bosch) specifications and different baud rates for CAN/CAN FD frame. When connecting I-7565M-FD to PC, PC will load the relevant device driver automatically (hot plug & play). Therefore, users can make data collection and processing of CAN Bus network easier and quicker by applying I-7565M-FD. The application fields can be CAN Bus monitoring, building automation, remote data acquisition, environment control, etc.

System Specifications

LED Indicators/Display	
System LED Indicator	1 x Power, 1 x Module status, 4 x CAN status
Power	
Power Consumption	USB power delivery, 1.5 W (Max.)
Mechanical	
Installation	Wall Mount
Casing	Metal
Dimensions (mm)	111.0 mm x 102.0 mm x 27.0 mm (W x L x H)
Environment	
Operating Temperature	-25 ~ +75°C
Storage Temperature	-30 ~ +80°C
Humidity	10 ~ 90% RH, Non-condensing

Internal I/O Structure



Features

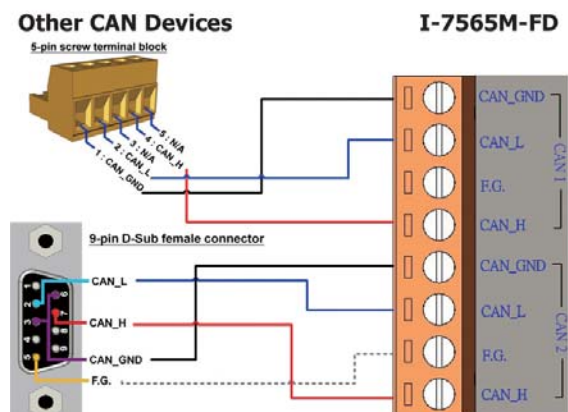
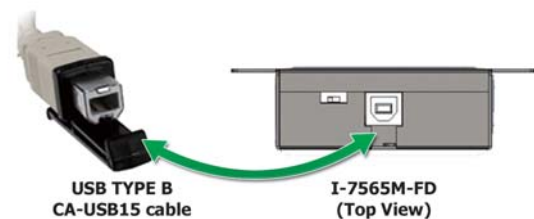
- Compatible with USB 2.0 (High Speed)
- Compatible with the ISO 11898-2 standard
- Compatible with CAN specification 2.0 A/B and FD
- CAN FD support for ISO and Non-ISO (Bosch) standards switchable
- CAN FD bit rates for data field from 100 kbps to 3000 kbps
- CAN bit rates from 10 kbps to 1000 kbps
- Support CAN Bus message filter configuration
- Provide API library for user program development



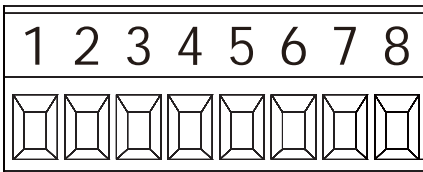
I/O Specifications

CAN Interface	
Transceiver	TI TCAN1042HG
Channel Number	2
Connector	8-pin terminal-block connector
Transmission Speed	CAN bit rates: 10 ~ 1000 kbps, CAN FD bit rates for data field: 100 ~ 3000 kbps
Terminal Resistor	DIP switch for the 120 Ω terminal resistor
Isolation	3000 VDC for DC-to-DC, 2500 Vrms for photocoupler
Specification	ISO 11898-2, CAN 2.0 A/B and FD
CAN Filter Configuration	Selectable via Utility tool
Receive Buffer	128 data frames
Max Data Flow	3000 fps for Tx/Rx (Total CAN ports)
USB Interface	
Connector	USB Type B x 1
Compatibility	USB 2.0 High Speed
Software Driver	Built-in Windows 7/8.1/10

Wire Connections



Pin Assignments

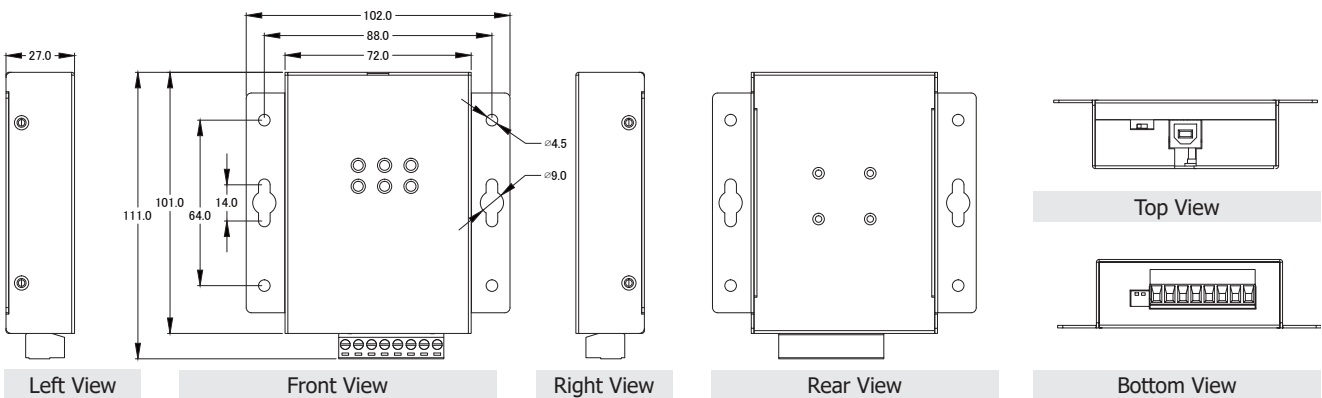


Pin No	Name	Description
1	CAN_GND	CAN ground of CAN1 port
2	CAN_L	CAN_Low bus line of CAN1 port.
3	F.G.	Frame Ground.
4	CAN_H	CAN_High bus line of CAN1 port.
5	CAN_GND	CAN ground of CAN2 port
6	CAN_L	CAN_Low bus line of CAN2 port.
7	F.G.	Frame Ground.
8	CAN_H	CAN_High bus line of CAN2 port.

Applications



Dimensions (Units: mm)



Ordering Information

I-7565M-FD CR	USB to 2-port CAN/CAN FD Bus Converter (RoHS)
----------------------	---