



## I-7540D(M)-MTCP

Intelligent CAN to Modbus TCP/RTU Converter

### Features

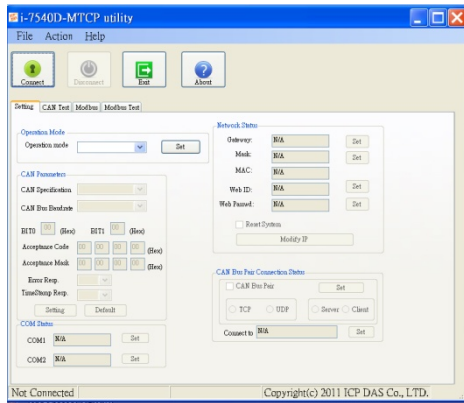
- 10/100 Base-TX Ethernet controller
- Message transmitted by using TCP/IP protocol and maximum 24 Ethernet client connections
- COM driver support interrupt and 1K QUEUE input & output buffer
- 2500Vrms photo-isolation protection on CAN side
- Jumper for 120Ω terminal resistor for CAN channel
- NXP 82C250 CAN Transceiver
- Support both CAN specification 2.0A and 2.0B
- Web Configuration
- Support Virtual COM technology



### Introduction

The I-7540D-MTCP by ICP DAS is a solution that enables CAN networks to be integrated into the Internet/Ethernet or Modbus TCP/RTU, whereby remote monitor and control is possible. The I-7540D-MTCP controls networked communication and makes a transparent CAN-based application interface available to the user. Thus it allows to be implemented into a various applications.

### Utility Features

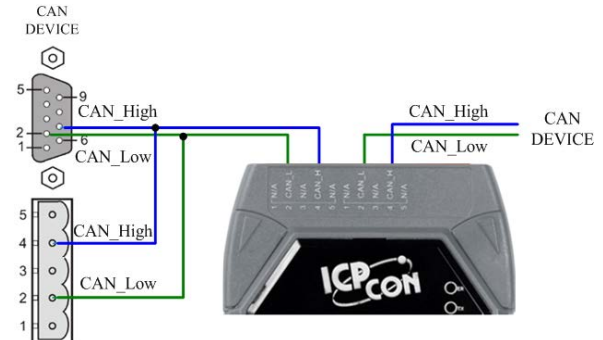


- IP · Gateway and Mask configuration
- Operation mode configuration
- CAN BTR0 · BTR1 and baud rate configuration
- CAN acceptance filter configuration
- CAN 2.0A or 2.0B specific selection
- Easy test to transmit / receive Modbus TCP/RTU messages
- Easy test to transmit / receive CAN messages

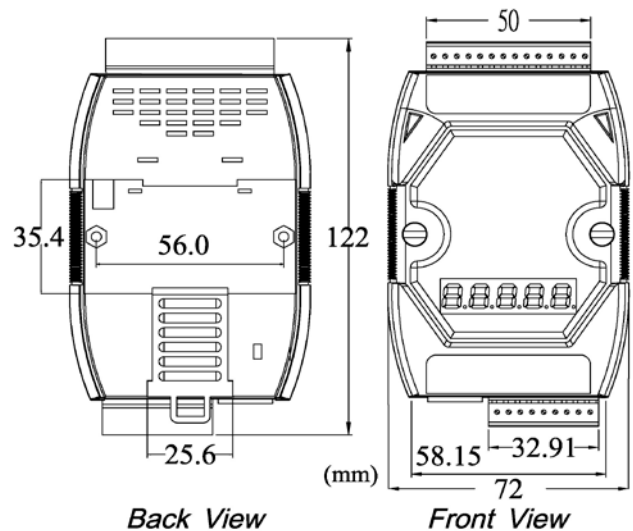
### CAN Monitor & Data log Tools

- Show CAN messages by hex or decimal format
- CAN messages with timestamp
- Easy-to-use data logger for the diagnosis of the CAN networks and recording of the received data
- Send the predefined CAN messages manually or cyclically

### Wire Assignments



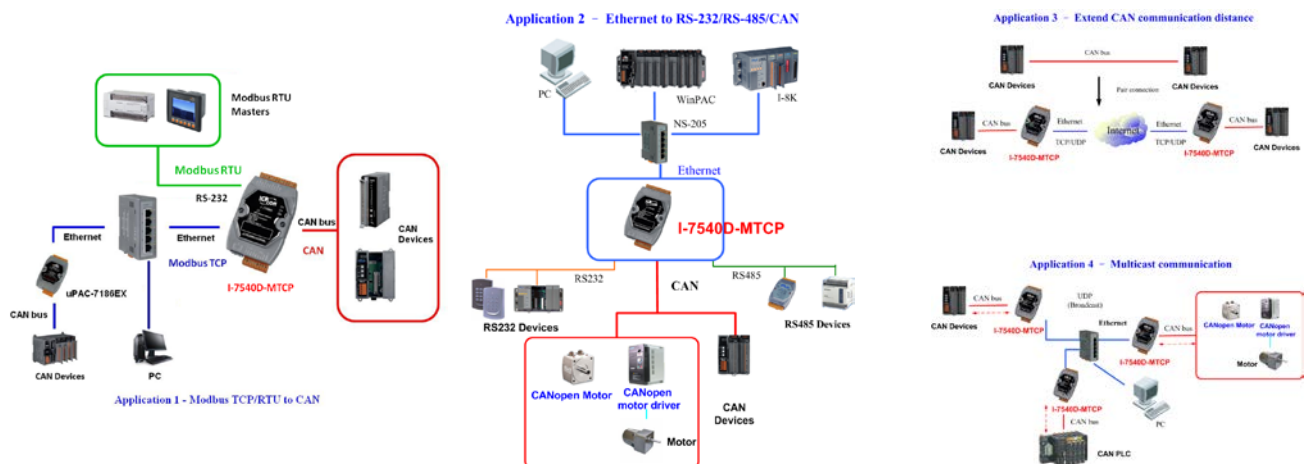
### Dimensions (Units: mm)



## Hardware Specifications

CAN Interface	
Controller	NXP SJA1000T with 16 MHz clock
Transceiver	NXP 82C250
Channel number	1
Connector	2-pin screwed terminal block (CAN_L, CAN_H)
Baud Rate (bps)	10 k, 20 k, 50 k, 125 k, 250 k, 500 k, 800 k, 1 M (allow user-defined baud rate)
Isolation	1000 V <sub>DC</sub> for DC-to-DC, 2500 Vrms for photo-couple
Terminal Resistor	Jumper for 120 Ω terminal resistor
Specification	ISO-11898-2, CAN 2.0A and CAN 2.0B
UART Interface	
COM 1	RS-232
COM 1 Connector	5-pin screwed terminal block (TxD, RxD, RTS, CTS, GND )
COM 2	RS-485 (Self-turner inside)
COM 2 Connector	2-pin screwed terminal block (DATA+, DATA-)
Baud Rate (bps)	110, 150, 300, 600, 1200, 2400, 4800, 9600, 19200, 38400, 57600, 115200
Data bit	7, 8
Stop bit	1
Parity	None, Even, Odd
Ethernet Interface	
Controller	10/100Base-TX Ethernet Controller (Auto-negotiating, Auto_MDIX)
Connector	RJ-45 with LED indicator
Power	
Power supply	Unregulated +10 ~ +30 V <sub>DC</sub>
Protection	Power reverse polarity protection, Over-voltage brown-out protection
Power Consumption	2.5 W
Mechanism	
Installation	DIN-Rail
Dimensions	72mm x 122mm x 33mm (W x L x H)
Environment	
Operating Temp.	-25 ~ 75 °C
Storage Temp.	-30 ~ 80 °C
Humidity	10 ~ 90% RH, non-condensing

## Application



## Ordering Information

<b>I-7540D-MTCP-G CR</b>	CAN to Ethernet / Modbus TCP / Modbus RTU Converter (Plastic Case) (RoHS)
<b>I-7540DM-MTCP CR</b>	CAN to Ethernet / Modbus TCP / Modbus RTU Converter (Metal Case) (RoHS)