



**I-7532M-FD**  
2-port CAN/CAN FD Bridge

### Features

- Compatible with the ISO 11898-2 standard
- Compatible with CAN specification 2.0 A/B and FD
- CAN FD support for ISO and Non-ISO (Bosch) standards switchable
- CAN FD bit rates for data field from 100 kbps to 10000 kbps
- CAN bit rates from 10 kbps to 1000 kbps
- Support CAN Bus message filter configuration
- Support CAN/CAN FD frame forwarding rule, mapping rule, merging rule and splitting rule
- Support CAN network status analysis via Utility tool
- Messaging traffic of each port up to 10,000 fps
- The baud rate of each port can be different for highly flexibility



### Introduction

I-7532M-FD is a local CAN/CAN FD (CAN with Flexible Data-Rate) bridge used to establish a connection between two CAN/CAN FD networks. It can increase the bus loading capacity, extend communication distance, connect CAN/CAN FD networks with different baud rate and support messages transform between CAN and CAN FD networks. I-7532M-FD supports messages transform from CAN to CAN, CAN to CAN FD, CAN FD to CAN and CAN FD to CAN FD. Besides, It also supports frame mapping rule, merging rule (combine multiple CAN messages to one CAN FD message) and splitting rule (split one CAN FD message to multiple CAN messages) for some specific messages transformation. Users can freedom to use these rules for their application. After connecting USB port with PC, user can use I-7532M-FD Utility tool to configure module's baud rate and rules. Then user can simple and easy to use the module.

### Applications

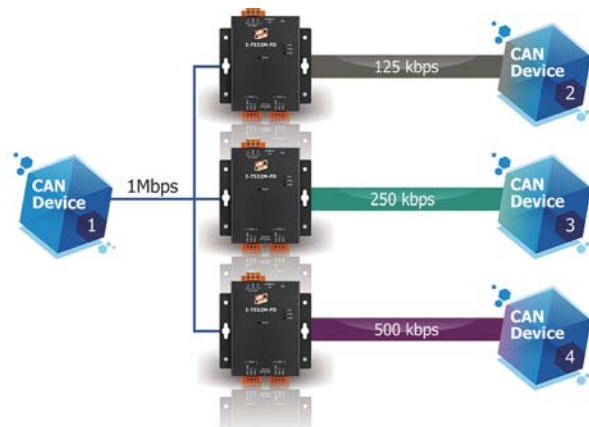
#### Allow CAN devices to quickly connect to the CAN FD network



#### Extend CAN working distance



#### Match different CAN baudrate



## Specifications

CAN Interface	
Transceiver	TI TCAN1042HG
Channel Number	2
Connector	3-pin terminal-block connector x 2
Transmission Speed	CAN bit rates: 10 ~ 1000 kbps, CAN FD bit rates for data field: 100 ~ 10000 kbps
Terminal Resistor	DIP switch for the 120 Ω terminal resistor
Isolation	3000 VDC for DC-to-DC, 2500 Vrms for photocoupler
Specification	ISO 11898-2, CAN 2.0 A/B and FD
Max Data Flow	10,000 FPS for Tx/Rx (each port)
Receive Buffer	128 data frames
USB Interface	
Connector	1 x USB (Mini-B)
Compatibility	USB 2.0 High Speed (480Mbps)
Software Driver	Built-in Windows 7/8.1/10

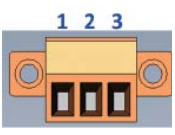
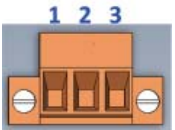
LED Indicators/Display	
System LED Indicator	1 x Power, 1 x USB status, 2 x CAN status
Power	
Power Consumption	1.2 W Max.
Mechanical	
Installation	Wall Mount or DIN-Rail
Casing	Metal
Dimensions (mm)	102 mm x 120 mm x 36.0 mm (W x L x H)
Environment	
Operating Temperature	-25 ~ +75°C
Storage Temperature	-30 ~ +80°C
Humidity	10 ~ 90% RH, Non-condensing

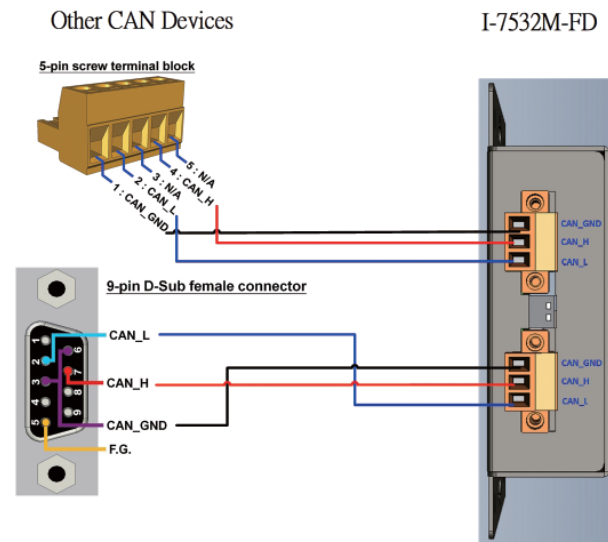
### Attention:

The maximum CAN FD data rate can be exceeded depending on the concrete operating conditions (cable length, network topology, settings,...), but it can also not be reached.

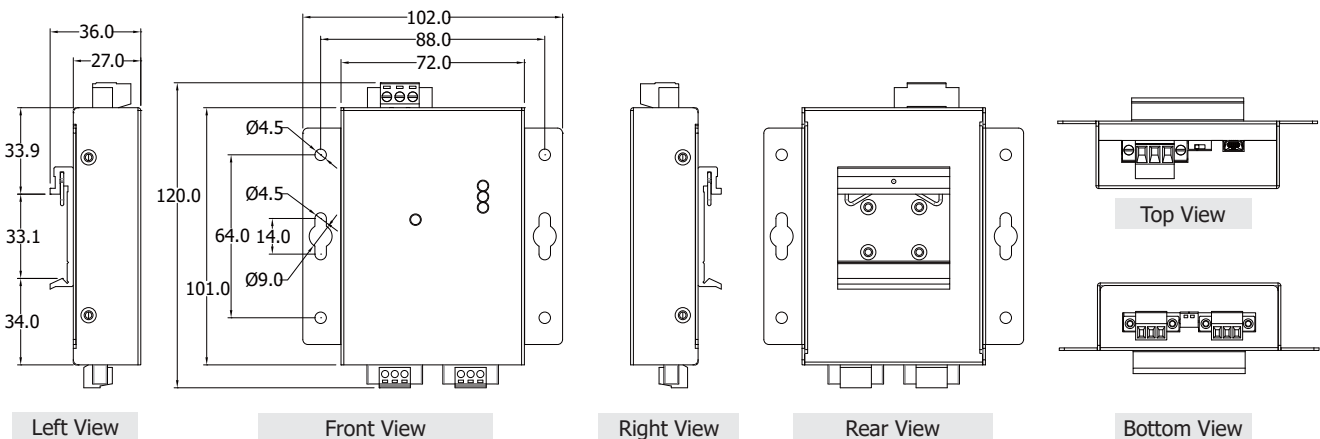
## Wire Connections

### Pin Assignments

Port	Schematic diagram	Pin	Description
CAN		1.CAN_GND	CAN ground of CAN port
		2.CAN_H	CAN_High bus line of CAN port
		3.CAN_L	CAN_Low bus line of CAN port
Power		1.+Vs	Voltage Source Input. +10VDC ~ +30VDC.
		2.GND	Power Ground
		3.F.G.	Frame Ground



### Dimensions (Units: mm)



## Ordering Information

<b>I-7532M-FD</b>	2-port CAN/CAN FD Bridge (RoHS)
-------------------	---------------------------------