

# DRP-C100 Series

*DIN-rail computers with Tiger Lake 11th Gen Intel® Core™ processor base model and high-interface models*



## Features and Benefits

- DIN-rail mountable computers with fanless design
- Intel® Celeron® or Intel® Core™ i5, or i7 processor
- Rich interface options for up to 8 serial and 10 LAN ports
- Compact size to fit most field applications
- -30 to 60°C operating temperature range

## Certifications



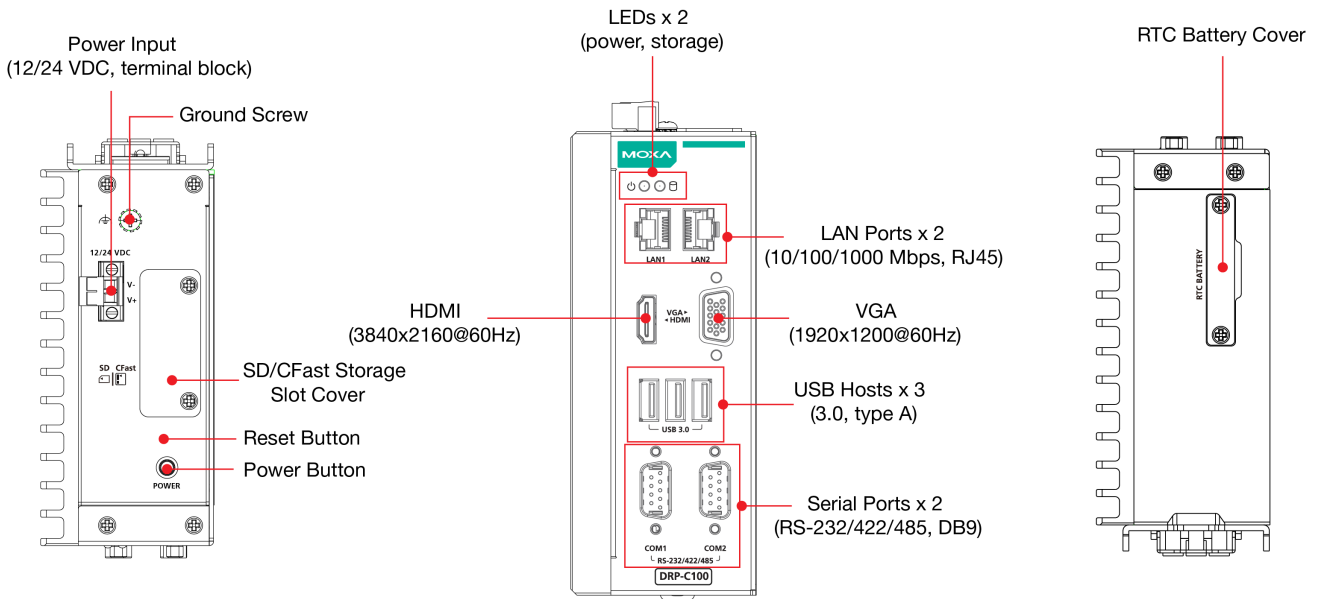
## Introduction

The DRP-C100 Series DIN-rail mountable computers are powered by an Intel® Celeron®, or Intel® Core™ i5 or i7 processor. The computers come with a rich set of interface options including up to 8 software-selectable RS-232/422/485 serial ports and up to 10 gigabit Ethernet ports. The communication interfaces are located on the front and rear sides of the product, enabling easy access and expansion for industrial applications. A dual-storage design that includes CFast and SD slots enables easy storage expansion. A unique battery-fastener cover secures the battery in place and ensures stability in all operating environments while a trap-door design for the battery slot enables easy battery swapping without having to remove the cover.

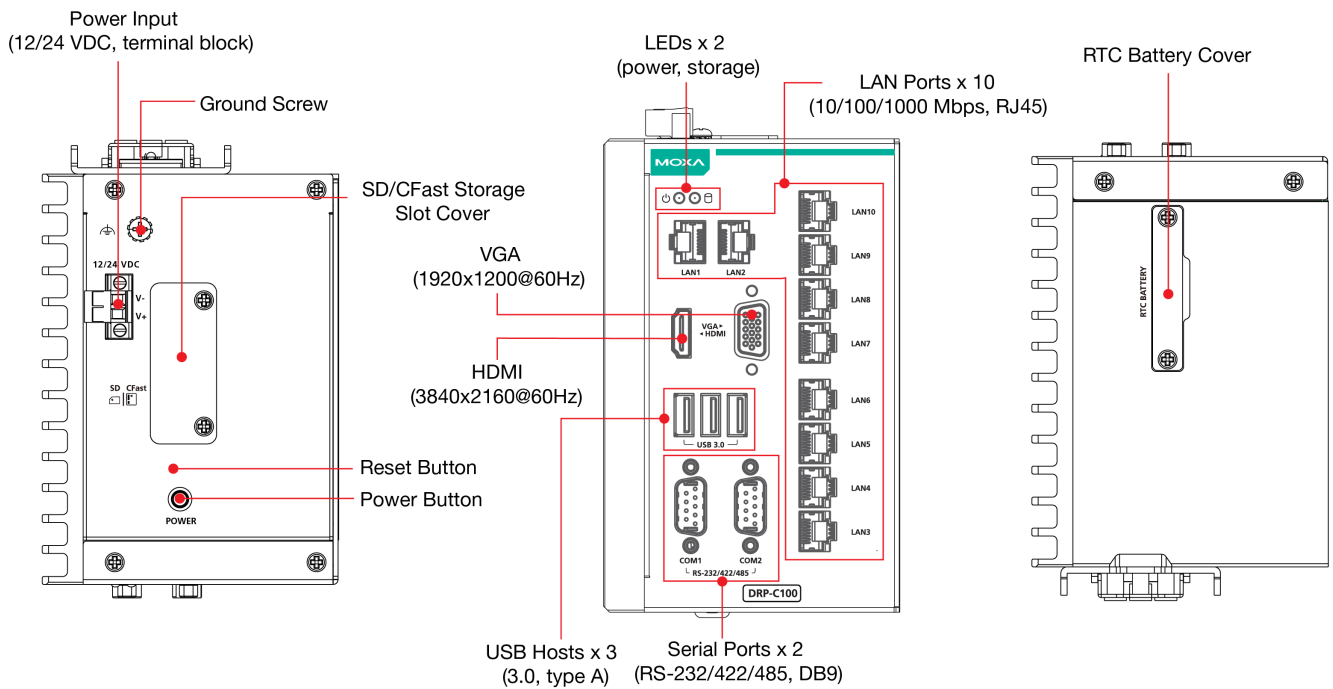
The DRP-C100 compact computers come in a fanless design and can withstand a temperature range of -30 to 60°C, making them a good fit for harsh operating environments. The built-in TPM 2.0 module secures the platform from unauthorized access. The DRP-C100 Series is an intelligent, reliable, durable, and versatile yet user-friendly computing solution that fulfills both OT and IT requirements of industrial environments.

## Appearance

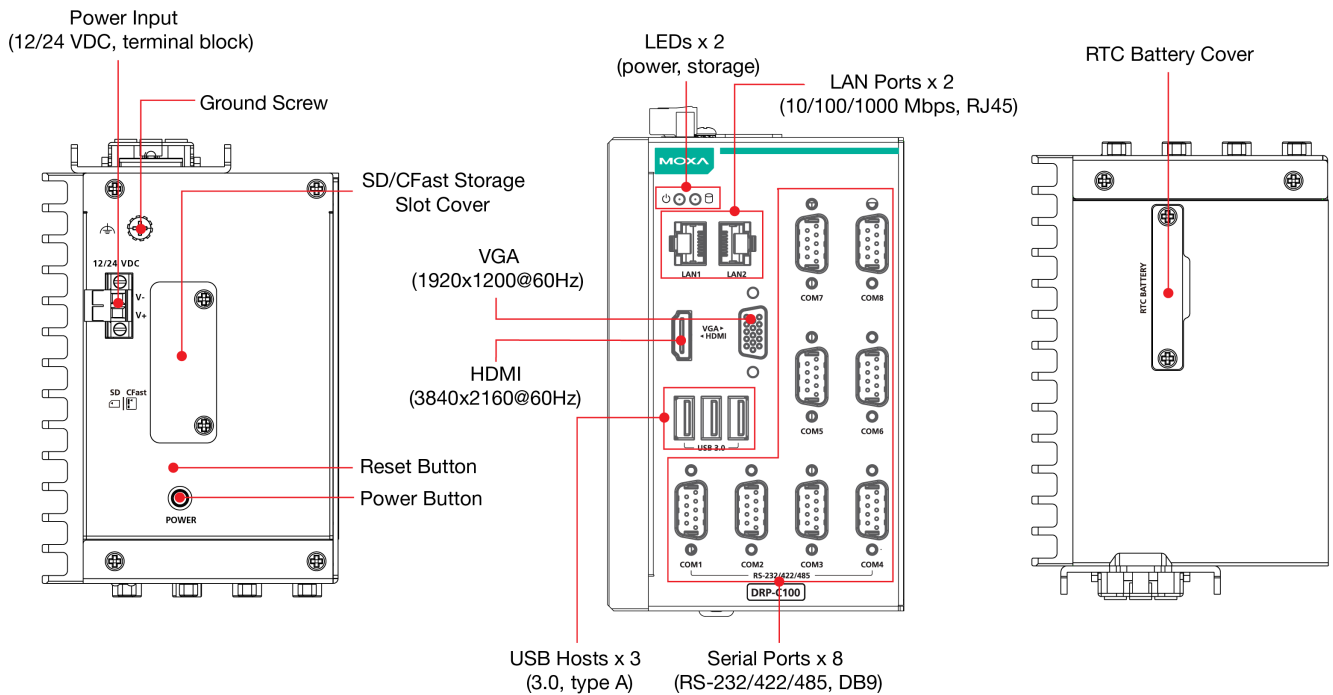
### DRP-C100-C1-T/DRP-C100-C5-T/DRP-C100-C7-T/DRP-C100-C1-T-Win10/DRP-C100-C5-T-Win10/DRP-C100-C7-T-Win10 Models



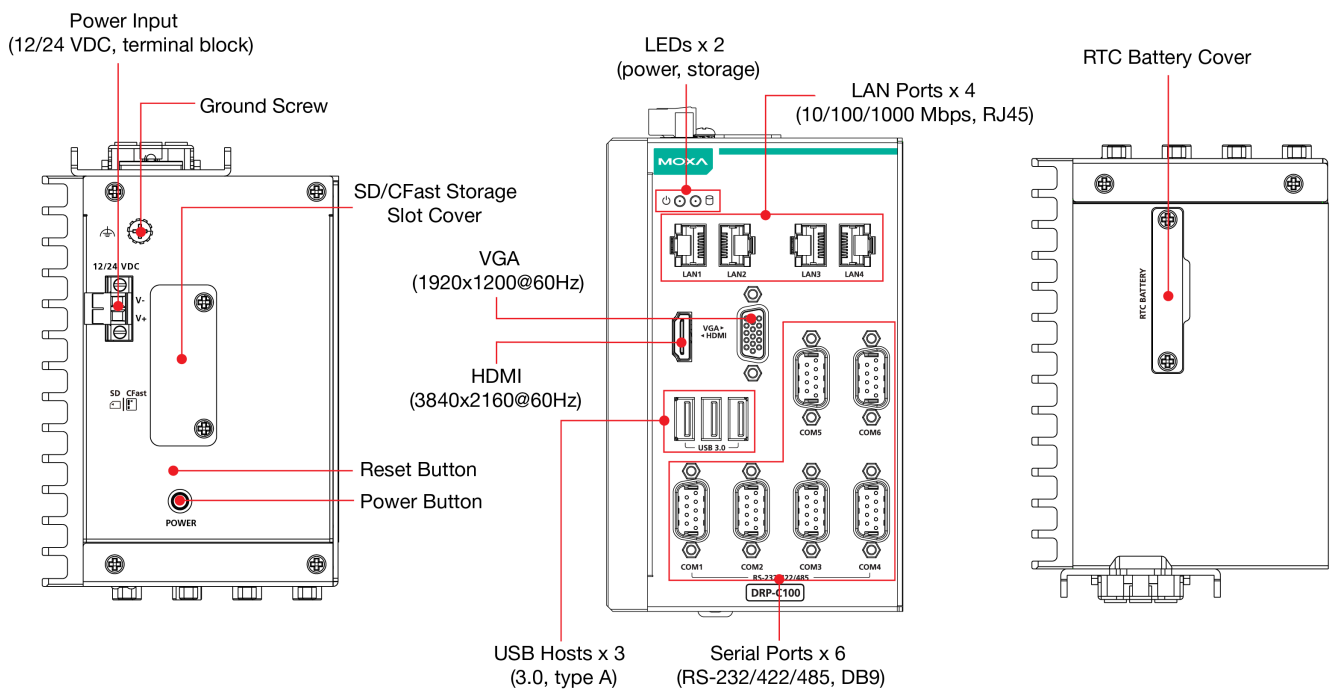
### DRP-C100-C1-8L-T/DRP-C100-C5-8L-T/DRP-C100-C7-8L-T Models



## DRP-C100-C1-6C-T/DRP-C100-C5-6C-T/DRP-C100-C7-6C-T Models



## DRP-C100-C1-2L4C-T/DRP-C100-C5-2L4C-T/DRP-C100-C7-2L4C-T Models



## Specifications

### Computer

CPU	DRP-C100-C1 Models: Intel® Celeron® 6305E (Dual core, 4M cache, 1.80 GHz) DRP-C100-C5 Models: Intel® Core™ Processor i5-1145G7E (Quad core, 8M cache, 2.60 GHz, Base:1.50 GHz) DRP-C100-C7 Models: Intel® Core™ Processor i7-1185G7E (Quad core, 12M cache, 2.80 GHz, Base:1.80 GHz)
System Memory Slot	SODIMM DDR4 slots x 1, up to 32 GB max.

System Memory Pre-installed	8 GB DDR4
Storage Slot	CFast slot x 1 (SATAIII interface) SD slots x 1, SD 3.0 interface (SDHC/SDXC)
Storage Pre-installed	DRP-C100-C1-T-Win10/C5-T-Win10/C7-T-Win10 Models: 64 GB CFast card
Supported OS	Windows Images and Drivers Supported: - Windows 10 IoT Enterprise LTSC 2021 64-bit - Windows 11 Professional 64-bit  Linux Drivers Supported: - Debian 11 (kernel 5.10) - Ubuntu 22.04 LTS (kernel 5.15) - RHEL 9 (kernel 5.14)
Graphics Controller	Intel® UHD Graphics

#### Computer Interface

Ethernet Ports	DRP-C100-C1-8L-T/C5-8L-T/C7-8L-T: Auto-sensing 10/100/1000 Mbps ports (RJ45 connector) x 10 DRP-C100-C1-2L4C-T/C5-2L4C-T/C7-2L4C-T: Auto-sensing 10/100/1000 Mbps ports (RJ45 connector) x 4 All Other Models: Auto-sensing 10/100/1000 Mbps ports (RJ45 connector) x 2
Serial Ports	DRP-C100-C1-6C-T/C5-6C-T/C7-6C-T: RS-232/422/485 ports x 8, software selectable (DB9 male) x 8 DRP-C100-C1-2L4C-T/C5-2L4C-T/C7-2L4C-T: RS-232/422/485 ports x 6, software selectable (DB9 male) x 6 All Other Models: RS-232/422/485 ports x 2, software selectable (DB9 male) x 2
USB 3.0	USB 3.0 hosts x 3, type-A connectors
TPM	TPM v2.0
Video Output	HDMI 2.0b x 1, (type A connector) VGA x 1, 15-pin D-sub connector (female)
Buttons	Reset button Power button

#### Ethernet Interface

Magnetic Isolation Protection	1.5 kV (built-in)
-------------------------------	-------------------

#### Serial Interface

Baudrate	50 bps to 115.2 kbps
Connector	DB9 male
Data Bits	5, 6, 7, 8
Parity	None, Even, Odd, Space, Mark
Stop Bits	1, 1.5, 2
Flow Control	RTS/CTS, XON/XOFF

#### Serial Signals

RS-232	TxD, RxD, RTS, CTS, DTR, DSR, DCD, GND
RS-422	Tx+, Tx-, Rx+, Rx-, GND

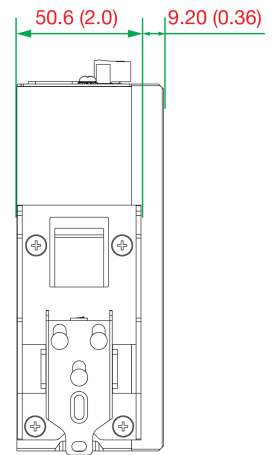
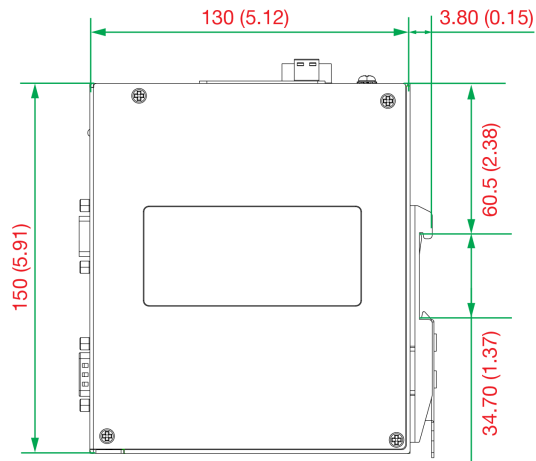
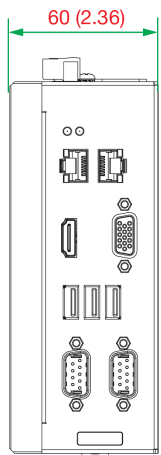
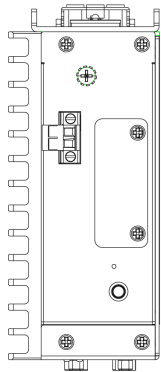
RS-485-2w	Data+, Data-, GND
RS-485-4w	Tx+, Tx-, Rx+, Rx-, GND
<b>LED Indicators</b>	
System	Power x 1 Storage x 1
LAN	2 per port (10/100/1000 Mbps)
<b>Power Parameters</b>	
Input Voltage	12/24 VDC
Power Connector	Screw-fastened Euroblock terminal
Power Consumption	90 W
<b>Physical Characteristics</b>	
Housing	Metal
IP Rating	IP20
Dimensions	DRP-C100-C1-T/C1-T-Win10/DRP-C100-C5-T/C5-T-Win10/DRP-C100-C7-T/-C7-TWin10: 60 x 130 x 150 mm (2.36 x 5.12 x 5.91 in) All Other Models: 94 x 130 x 150 mm (3.70 x 5.12 x 5.91 in)
Weight	DRP-C100-C1-T/C1-T-Win10/DRP-C100-C5-T/C5-T-Win10/DRP-C100-C7-T/-C7-TWin10: 1,213 g (2.67 lb) All Other Models: 1.612 g (3.55 lb)
Installation	DIN-rail mounting
<b>Declaration</b>	
Green Product	RoHS, CRoHS, WEEE
<b>Environmental Limits</b>	
Operating Temperature	-30 to 60°C (-22 to 140°F)
Storage Temperature	-40 to 75°C (-40 to 167°F)
Ambient Relative Humidity	5 to 95% (non-condensing)
<b>Standards and Certifications</b>	
EMC	EN 55032/35
EMI	CISPR 32, FCC Part 15B Class A BSMI
EMS	IEC 61000-4-2 ESD: Contact: 4 kV; Air: 8 kV IEC 61000-4-3 RS: 80 MHz to 1 GHz: 3 V/m IEC 61000-4-4 EFT: Power: 0.5 kV; Signal: 0.5 kV IEC 61000-4-5 Surge: Power: 0.5 kV, Signal: 1 kV IEC 61000-4-6 CS: 3 V IEC 61000-4-8 PFMF: 1 A/m at 50 to 60 Hz
Safety	UL 62368-1 (CB) BSMI
Shock	IEC 60068-2-27

Vibration	IEC 60068-2-64
Package Drop Test	ISTA 1A
Package Vibration Test	ISTA 1A
<b>Reliability</b>	
Time Source	Built-in RTC (real-time clock) with lithium-battery backup
Automatic Reboot Trigger	Built-in WDT
<b>MTBF</b>	
Time	584.337 hrs
Standards	Telcordia (Bellcore), GB
<b>Warranty</b>	
Warranty Period	3 years
Details	See <a href="http://www.moxa.com/warranty">www.moxa.com/warranty</a>
<b>Package Contents</b>	
Device	1 x DRP-C100 Series computer with DIN-rail ears attached
Installation Kit	1 x terminal block, 2-pin, for DC power
Documentation	1 x quick installation guide 1 x warranty card

## Dimensions

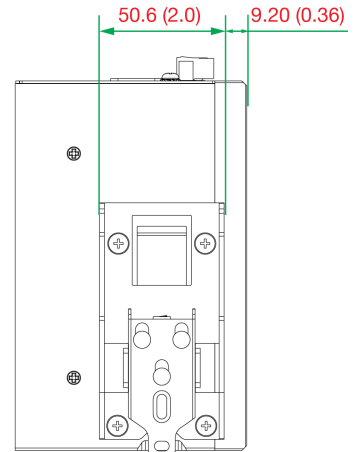
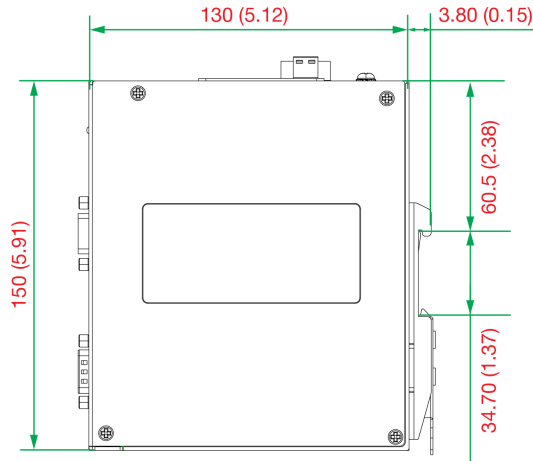
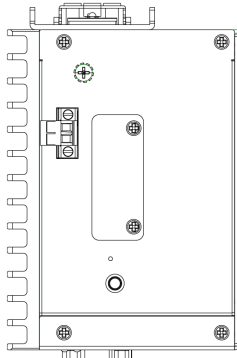
### DRP-C100-C1-T/DRP-C100-C5-T/DRP-C100-C7-T Models

Unit: mm (inch)



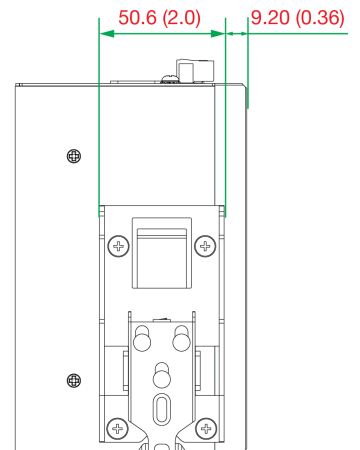
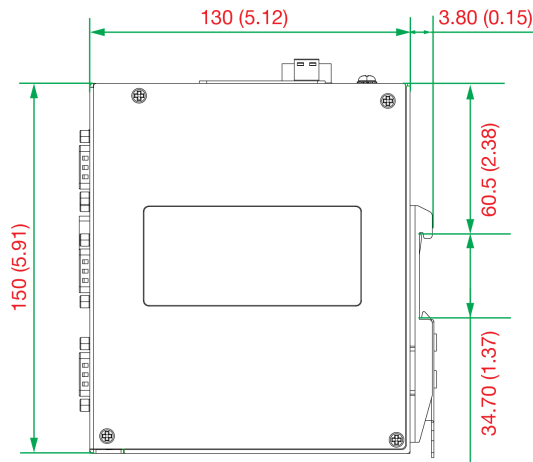
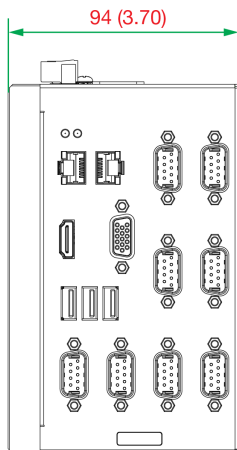
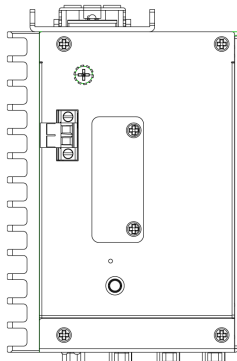
**DRP-C100-C1-8L-T/DRP-C100-C5-8L-T/DRP-C100-C7-8L-T Models**

Unit: mm (inch)



**DRP-C100-C1-6C-T/DRP-C100-C5-6C-T/DRP-C100-C7-6C-T Models**

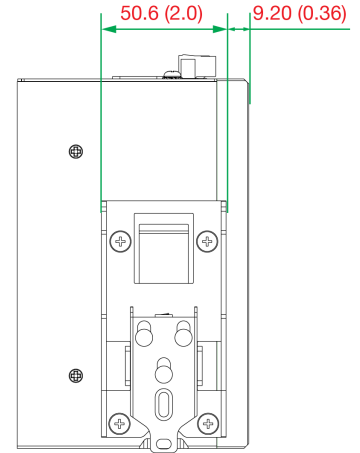
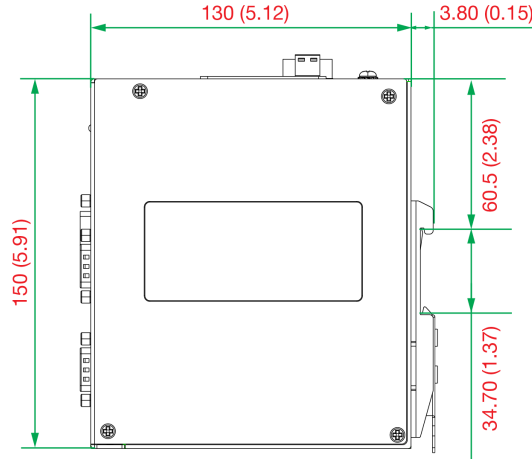
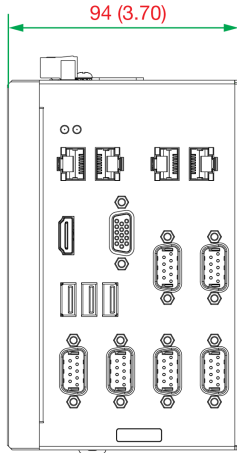
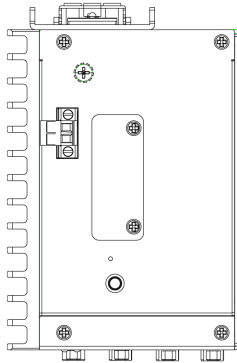
Unit: mm (inch)





## DRP-C100-C1-2L4C-T/DRP-C100-C5-2L4C-T/DRP-C100-C7-2L4C-T Models

Unit: mm (inch)



## Ordering Information

Model Name	CPU	Memory	Storage Slots	OS Preinstalled	LAN/Serial	USB 3.0	Video Outputs	Power Input
DRP-C100-C1-T	Intel® Celeron® 6305E	8 GB	1 x CFast 1 x SD	-	2/2	3	1 x VGA 1 x HDMI	12/24 VDC
DRP-C100-C1-T-Win10	Intel® Celeron® 6305E	8 GB	1 x CFast 1 x SD	Win 10 LTSC 64 GB CFast	2/2	3	1 x VGA 1 x HDMI	12/24 VDC
DRP-C100-C1-8L-T	Intel® Celeron® 6305E	8 GB	1 x CFast 1 x SD	-	10/2	3	1 x VGA 1 x HDMI	12/24 VDC
DRP-C100-C1-6C-T	Intel® Celeron® 6305E	8 GB	1 x CFast 1 x SD	-	2/8	3	1 x VGA 1 x HDMI	12/24 VDC
DRP-C100-C1-2L4C-T	Intel® Celeron® 6305E	8 GB	1 x CFast 1 x SD	-	4/6	3	1 x VGA 1 x HDMI	12/24 VDC
DRP-C100-C5-T	Intel® Core™ i5-1145G7E	8 GB	1 x CFast 1 x SD	-	2/2	3	1 x VGA 1 x HDMI	12/24 VDC
DRP-C100-C5-T-Win10	Intel® Core™ i5-1145G7E	8 GB	1 x CFast 1 x SD	Win 10 LTSC 64 GB Cfast	2/2	3	1 x VGA 1 x HDMI	12/24 VDC
DRP-C100-C5-8L-T	Intel® Core™ i5-1145G7E	8 GB	1 x CFast 1 x SD	-	10/2	3	1 x VGA 1 x HDMI	12/24 VDC
DRP-C100-C5-6C-T	Intel® Core™ i7-1185G7E	8 GB	1 x CFast 1 x SD	-	2/8	3	1 x VGA 1 x HDMI	12/24 VDC
DRP-C100-C5-2L4C-T	Intel® Core™ i5-1145G7E	8 GB	1 x CFast 1 x SD	-	4/6	3	1 x VGA 1 x HDMI	12/24 VDC

Model Name	CPU	Memory	Storage Slots	OS Preinstalled	LAN/Serial	USB 3.0	Video Outputs	Power Input
DRP-C100-C7-T	Intel® Core™ i7-1185G7E	8 GB	1 x CFast 1 x SD	–	2/2	3	1 x VGA 1 x HDMI	12/24 VDC
DRP-C100-C7-T-Win10	Intel® Core™ i7-1185G7E	8 GB	1 x CFast 1 x SD	Win 10 LTSC 64 GB Cfast	2/2	3	1 x VGA 1 x HDMI	12/24 VDC
DRP-C100-C7-8L-T	Intel® Core™ i7-1185G7E	8 GB	1 x CFast 1 x SD	–	10/2	3	1 x VGA 1 x HDMI	12/24 VDC
DRP-C100-C7-6C-T	Intel® Core™ i7-1185G7E	8 GB	1 x CFast 1 x SD	–	2/8	3	1 x VGA 1 x HDMI	12/24 VDC
DRP-C100-C7-2L4C-T	Intel® Core™ i7-1185G7E	8 GB	1 x CFast 1 x SD	–	4/6	3	1 x VGA 1 x HDMI	12/24 VDC

© Moxa Inc. All rights reserved. Updated Nov 28, 2023.

This document and any portion thereof may not be reproduced or used in any manner whatsoever without the express written permission of Moxa Inc. Product specifications subject to change without notice. Visit our website for the most up-to-date product information.