

Datasheet

# mSATA

## 3TE7 series

- mSATA SATA III solution for industrial field
- High IOPS
- iSMART disk health monitoring
- iPower Guard for protecting unstable start up and shut down.
- iData Guard for abnormal power failure



## Introduction

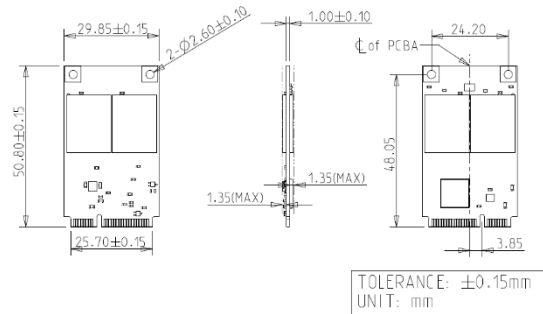
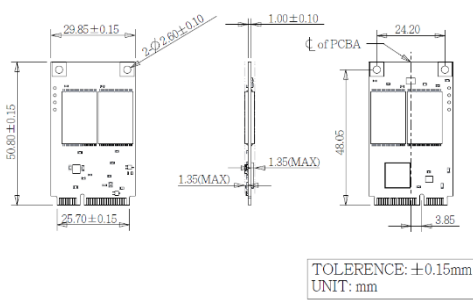
Innodisk mSATA 3TE7 is SATA III 6.0 Gb/s flash based disk, which adopts latest SATA III NAND controller with Innodisk's exclusive L<sup>3</sup> FW architecture. The upgraded L<sup>3</sup> FW architecture, combining Innodisk signature 4K mapping algorithm L<sup>2</sup> FW architecture with powerful LDPC technology, makes 3TE7 series have outstanding high IOPS, better data integrity and extended lifespan through reducing the bad block number happening. Built-in thermal sensor and iData Guard ensure data integrity and reliability of mSATA 3TE7 for industrial applications.

# mSATA SSD 3TE7 series

## Diagram

For 32GB~512GB

For 1TB~2TB



**Contact us for more information about the mSATA 3TE7.**

Innodisk is a service-driven provider of industrial embedded flash and DRAM storage products and technologies, with a focus on the industrial/embedded, aerospace and defense, and cloud computing industries.

## Specifications

### Headquarters (Taiwan)

5F., No.237, Sec. 1, Datong Rd., Xizhi Dist., New Taipei City, Taiwan (R.O.C.)  
Tel: +886-2-77033000  
Email: sales@innodisk.com

### Branch Offices:

USA  
[usasales@innodisk.com](mailto:usasales@innodisk.com)  
+1-510-770-9421  
Europe  
[eusales@innodisk.com](mailto:eusales@innodisk.com)  
+31-40-3045-400  
Japan  
[jpsales@innodisk.com](mailto:jpsales@innodisk.com)  
+81-3-6667-0161  
China  
[sales\\_cn@innodisk.com](mailto:sales_cn@innodisk.com)  
+86-755-21673689  
[www.innodisk.com](http://www.innodisk.com)

© 2022 Innodisk Corporation.  
All right reserved. Specifications are subject to change without prior notice.

Interface	SATA III
Flash Type	3D TLC
Capacity	32GB~2TB
Max. Channels	4
Sequential R/W (MB/sec, max.)*	550 / 490 MB/s
Max. Power Consumption	2.4W (3.3V x 0.72mA)
Thermal Sensor	√
External DRAM Buffer	-
H/W Write Protect	Optional
ATA Security	√
S.M.A.R.T.	√
Dimension (WxLxH)	29.85 X 50.8 X 3.7 mm
Environment	Vibration: 20G @7~2000Hz Shock: 1500G @ 0.5ms Storage Temperature: -40°C ~ +85°C MTBF: 3 million hours
* Performance based on CrystalDiskMark 5.1.2 with file size 1000MB	

## Ordering Information (Please refer to TPS for detail)

Operation Temp.	32GB	64GB	128GB	256GB	512GB	1TB	2TB
Standard Grade (0°C ~ +70°C)	DEMSR-32GDK1%C*SF	DEMSR-64GDK1%C*DF(P)	DEMSR-A28DK1%C*&F(P)	DEMSR-B56DK1%C*QF(P)	DEMSR-C12DK1%C*QF(P)	DEMSR-01TDK1%CAQF(P)	DEMSR-02TDK1%CAQF
Industrial Grade (-40°C ~ +85°C)	DEMSR-32GDK1EW1SF	DEMSR-64GDK1%W*DF(P)	DEMSR-A28DK1%W*&F(P)	DEMSR-B56DK1%W*QF(P)	DEMSR-C12DK1%W*QF(P)	DEMSR-01TDK1%WAQF(P)	DEMSR-02TDK1KWAQF

%: E: 64 layers 3D TLC; G: 96 layers 3D TLC; K: 112 layers 3D TLC / \*: PCB version control / &. D=Dual channel; Q=4 channel