

# ANT-WSB-PNF-12-02 Series

12 dBi at 2.4 GHz, N-type (female), single-band directional antenna



## Features and Benefits

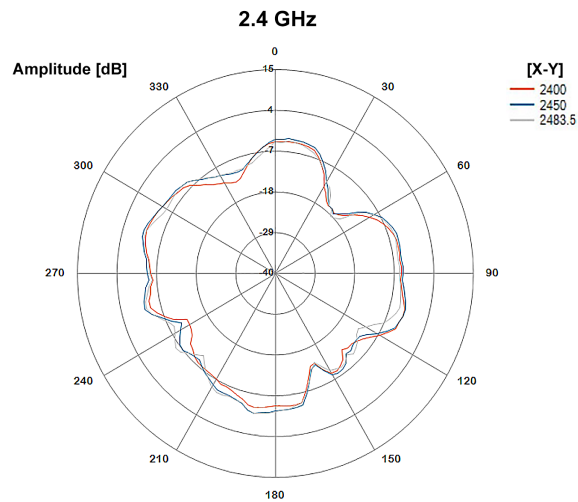
- High-gain antenna to enhance performance
- Waterproof N-type connector
- Pole-mounting support
- Housing provides IP65 protection
- -40 to 85°C operating temperature range

## Introduction

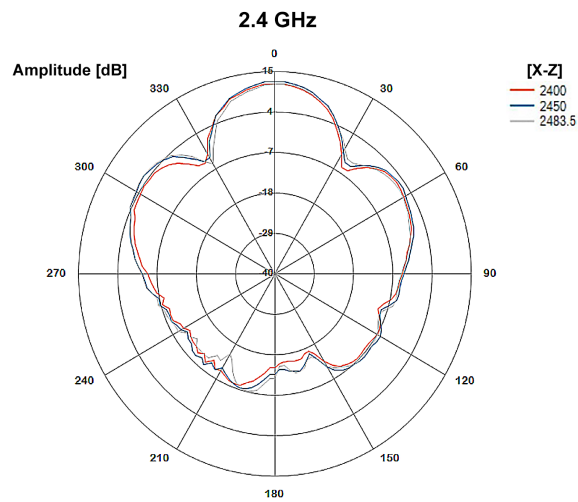
The ANT-WSB-PNF-12-02 is a single-band high-gain directional panel antenna with a waterproof N-type female connector. The antenna provides a gain of 12 dBi at 2.4 GHz. The IP65-rated housing, pole-mounting support, and wide operating temperature range of -40 to 85°C make it suitable for outdoor use.

## Field Patterns

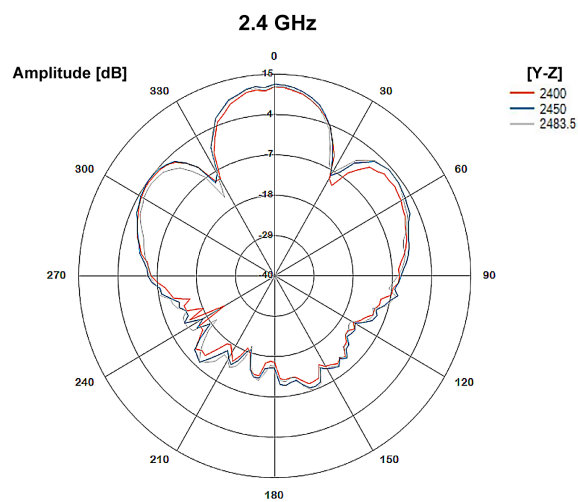
### X-Y Plane



## X-Z Plane



## Y-Z Plane



## Specifications

### Antenna Characteristics

Frequency	2.4 to 2.4835 GHz
Antenna Type	Directional, Panel
Typical Antenna Gain	12 dBi
Connector	N-type (female)
Impedance	50 ohms
HPBW/Horizontal	30°
HPBW/Vertical	30°
V.S.W.R.	1:2.0 max.
Power Handling	10 W (max.)
Polarization	Vertical

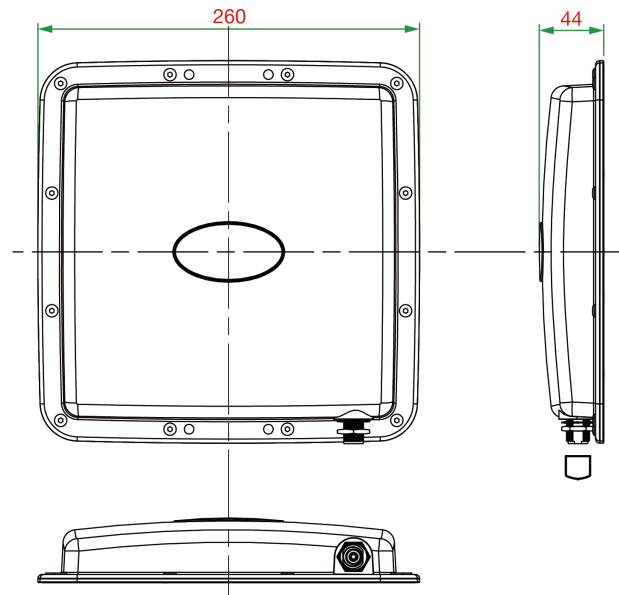
### Physical Characteristics

IP Rating	IP65
Dimensions	260 x 260 x 44 mm (10.27 x 10.27 x 1.73 in)

Radome Color	White
Radome Material	PC and ABS
Installation	Pole mount
Weight	796 g (1.75 lb)
<b>Environmental Limits</b>	
Operating Temperature	-40 to 85°C (-40 to 185°F)
Storage Temperature (package included)	-40 to 85°C (-40 to 185°F)
<b>Warranty</b>	
Warranty Period	1 year
Details	See <a href="http://www.moxa.com/warranty">www.moxa.com/warranty</a>

## Dimensions

Unit: mm



## Ordering Information

Model Name	Frequency	Antenna Type	Antenna Gain	Connector Type
ANT-WSB-PNF-12-02	2.4 to 2.4835 GHz	Directional, panel	12 dBi	N-type (female)

© Moxa Inc. All rights reserved. Updated Mar 17, 2021.

This document and any portion thereof may not be reproduced or used in any manner whatsoever without the express written permission of Moxa Inc. Product specifications subject to change without notice. Visit our website for the most up-to-date product information.