

TRIO-PS-2G/3AC – 3 Phase DIN Rail Power Supply

 [perle.com/products/industrial-power-supply/trio-3-phase.shtml](https://www.perle.com/products/industrial-power-supply/trio-3-phase.shtml)

Switching Power Supplies for Regulated AC to DC Conversion

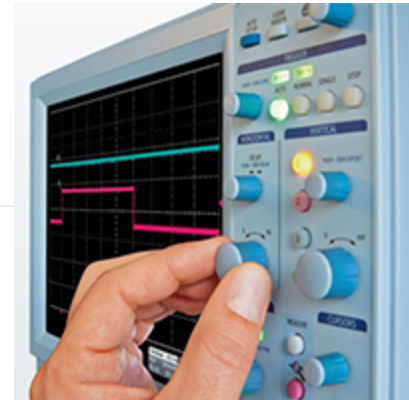
- 24V DC Output Voltage
- Output Amps: 5, 10, 20, or 40 Amps
- Output Watts: 120, 240, 480, or 960 W
- 3-phase AC Input Voltage Range: 320 to 575 V AC
- 2-phase AC Input Voltage Range: 360 to 575 V AC



The **TRIO 3-Phase Power Supplies** offer a complete range of rugged AC to DC Converters built to meet the high stability and efficiency expectations of industrial, machine automation and process control environments. These Switch Mode Power Supplies ensure a regulated output voltage even in the event of voltage fluctuations in the power supply network. With all required safety certifications to support ITE (Information Technology Equipment), ruggedized packaging, extended operating temperatures, high peak load capabilities and high isolation voltages, TRIO 3-Phase Power Supplies are designed to meet the needs of your high power industrial application.

150% Dynamic Power Boost

The dynamic boost provides additional power for starting difficult loads. By supplying up to 150% of the nominal current for 5 seconds TRIO power supplies start difficult loads reliably.



24 to 28 V DC Adjustable Output Voltage Range

Using the rotary potentiometer on the front face of the TRIO power supply, the output voltage can be optimally adjusted to meet specific application environment requirements. For example, you can easily adjust to compensate for a voltage drop caused by a long cable length.

Industrial operating temperature of -25°C to +70°C

Equipment found in traffic management, oil and gas pipelines, weather tracking, industrial and outdoor applications must function in temperatures that cannot be supported by a commercial power supplies. With an operating temperature of -25°C to +70°C, the TRIO 3-Phase Power Supply is ideal for use with equipment subjected to harsh environments and severe temperatures. Some models even guarantee reliable device start-up at -40°C.

High efficiency and low no load power consumption

Compared with other products on the market, the TRIO 3-Phase Power Supply provides excellent energy savings. With a very low no load power consumption and over high efficiency at nominal load, just a small amount of electrical energy is converted into undesired heat energy making these very ECO friendly power supplies.

Easy & efficient installation

The tool-free Push-in connection will save time and make installation quick and easy. And, the DIN Rail mount narrow housing will save space in the control cabinet.



Ideal application environments for a TRIO DIN Rail Power Supply

- drive motors and other devices
- machine building
- automated production process
- industrial control, automation, assembly, and test equipment
- building control, security and surveillance, and climate control systems.
- power countless industrial automation devices such as sensors, controllers and valves

Other reasons to choose a TRIO Industrial Power Supply

- Contact signal output and LED indicator for voltage out failure: If the output voltage is below the operational range, the LED turns off and the contact opens.
- Vibration resistance up to 4 kg
- Shock resistance up to 30g
- Voltage Isolation input/output: 3 kV AC
- Protections: Short-circuit, Overload, Over voltage, Over-temperature
- High MTBF (Mean Time Between Failure) values of more than 1 million hours at +40°C ensure maximum availability

| TRIO-PS-2G/3AC/24DC/5 - 29031538 | TRIO-PS-2G/3AC/24DC/10 - 29031548 | TRIO-PS-2G/3AC/24DC/20 - 29031558 | TRIO-PS-2G/3AC/24DC/40 - 29031568 |
|----------------------------------|-----------------------------------|-----------------------------------|-----------------------------------|
|----------------------------------|-----------------------------------|-----------------------------------|-----------------------------------|

Environmental Product Compliance

| | | | | |
|------------|--|--|--|--|
| China RoHS | Environmentally Friendly Use Period = 25; | Environmentally Friendly Use Period = 25; | Environmentally Friendly Use Period = 25; | Environmentally Friendly Use Period = 25; |
| REACH SVHC | | | Lead 7439-92-1 | Lead 7439-92-1 |

General

| | | | | |
|------------|--------|--------|--------|--------|
| Net weight | 0.4 kg | 0.9 kg | 1.5 kg | 2.6 kg |
|------------|--------|--------|--------|--------|

| | | | | |
|------------|--|--|-------------------|----------------------|
| Efficiency | > 91 % (at 400 V AC and nominal value) | > 92 % (at 400 V AC and nominal value) | > 93 % (400 V AC) | typ. 93 % (400 V AC) |
|------------|--|--|-------------------|----------------------|

| | | | | |
|----------------------------------|--|--|--|---|
| Insulation voltage input/output | 3 kV AC (type test) | 3 kV AC (type test) | 3 kV AC (type test) | 3 kV AC (type test) |
| | 1.5 kV AC (routine test) | 1.5 kV AC (routine test) | 1.5 kV AC (routine test) | 1.5 kV AC (routine test) |
| Protection class | II (in closed control cabinet) | I (in closed control cabinet) | I (in closed control cabinet) | I (in closed control cabinet) |
| Degree of protection | IP20 | IP20 | IP20 | IP20 |
| MTBF (IEC 61709, SN 29500) | > 2300000 h (25 °C) | > 2100000 h (25 °C) | > 1800000 h (25 °C) | > 1730000 h (25 °C) |
| | > 1300000 h (40 °C) | > 1200000 h (40 °C) | > 1100000 h (40 °C) | > 1051000 h (40 °C) |
| | > 620000 h (60 °C) | > 590000 h (60 °C) | > 510000 h (60 °C) | > 510000 h (60 °C) |
| Mounting position | horizontal DIN rail NS 35, EN 60715 | horizontal DIN rail NS 35, EN 60715 | horizontal DIN rail NS 35, EN 60715 | horizontal DIN rail NS 35, EN 60715 |
| Assembly instructions | alignable: horizontally 0 mm (≤ 40 °C) 10 mm (≤ 70 °C), vertically 50 mm | alignable: horizontally 0 mm (≤ 40 °C) 10 mm (≤ 70 °C), vertically 50 mm | alignable: horizontally 0 mm (≤ 40 °C) 10 mm (≤ 70 °C), vertically 50 mm | alignable: horizontally 0 mm (≤ 40 °C) 10 mm (≤ 70 °C), vertically 50 mm |
| Efficiency | | | 500 V AC | typ. 93.3 % (480 V AC) |
| Standards and Regulations | | | | |
| Electromagnetic compatibility | Conformance with EMC Directive 2014/30/EU | Conformance with EMC Directive 2014/30/EU | Conformance with EMC Directive 2014/30/EU | Conformance with EMC Directive 2014/30/EU |
| Noise emission | EN 55011 (EN 55022) | EN 55011 (EN 55022) | EN 55011 (EN 55022) | EN 55011 (EN 55022) |
| Noise immunity | Immunity according to EN 61000-6-2 (industrial) | Immunity according to EN 61000-6-2 (industrial) | Immunity according to EN 61000-6-2 (industrial) | Immunity according to EN 61000-6-1 (residential), EN 61000-6-2 (industrial) |
| Standards/regulations | EN 61000-4-2 | EN 61000-4-2 | EN 61000-4-2 | EN 61000-4-2 |
| Contact discharge | 4 kV (Test Level 2) | 4 kV (Test Level 2) | 4 kV (Test Level 2) | 4 kV (Test Level 2) |
| Standards/regulations | EN 61000-4-3 | EN 61000-4-3 | EN 61000-4-3 | EN 61000-4-3 |

| | | | | |
|--|---|---|---|---|
| Frequency range | 80 MHz ... 1 GHz | 80 MHz ... 1 GHz | 80 MHz ... 1 GHz | 80 MHz ... 1 GHz |
| Test field strength | 10 V/m (Test Level 3) | 10 V/m (Test Level 3) | 10 V/m (Test Level 3) | 10 V/m (Test Level 3) |
| Frequency range | 1.4 GHz ... 2 GHz | 1.4 GHz ... 2 GHz | 1.4 GHz ... 2 GHz | 1.4 GHz ... 2 GHz |
| Test field strength | 3 V/m (Test Level 2) | 3 V/m (Test Level 2) | 3 V/m (Test Level 2) | 3 V/m (Test Level 2) |
| Standards/regulations | EN 61000-4-4 | EN 61000-4-4 | EN 61000-4-4 | EN 61000-4-4 |
| Comments | Criterion B | Criterion B | Criterion B | Criterion B |
| Standards/regulations | EN 61000-6-3 | EN 61000-6-3 | EN 61000-6-3 | EN 61000-6-3 |
| | EN 61000-4-6 | EN 61000-4-6 | EN 61000-4-6 | EN 61000-4-6 |
| Frequency range | 0.15 MHz ... 80 MHz | 0.15 MHz ... 80 MHz | 0.15 MHz ... 80 MHz | 0.15 MHz ... 80 MHz |
| Voltage | 10 V (Test Level 3) | 10 V (Test Level 3) | 10 V (Test Level 3) | 10 V (Test Level 3) |
| Conducted noise emission | EN 55016 EN 61000-6-4 (Class A) | EN 55016 EN 61000-6-4 (Class A) | EN 55016 EN 61000-6-4 (Class A) | EN 55016 EN 61000-6-4 (Class A) |
| Low Voltage Directive | Conformance with Low Voltage Directive 2014/35/EC | Conformance with Low Voltage Directive 2014/35/EC | Conformance with Low Voltage Directive 2014/35/EC | Conformance with Low Voltage Directive 2014/35/EC |
| Standard - Safety of transformers | EN 61558-2-16 (air clearances and creepage distances only) | EN 61558-2-16 (air clearances and creepage distances only) | EN 61558-2-16 (air clearances and creepage distances only) | |
| Standard - Electrical safety | IEC 60950-1/VDE 0805 (SELV) | IEC 60950-1/VDE 0805 (SELV) | IEC 60950-1/VDE 0805 (SELV) | IEC 60950-1/VDE 0805 (SELV) |
| Standard – Electronic equipment for use in electrical power installations and their assembly into electrical power installations | EN 50178/VDE 0160 (PELV) | EN 50178/VDE 0160 (PELV) | EN 50178/VDE 0160 (PELV) | EN 50178/VDE 0160 (PELV) |
| Standard – Safety extra-low voltage | IEC 60950-1 (SELV) and EN 60204-1 (PELV) | IEC 60950-1 (SELV) and EN 60204-1 (PELV) | IEC 60950-1 (SELV) and EN 60204-1 (PELV) | IEC 60950-1 (SELV) and EN 60204-1 (PELV) |
| Standard - Safe isolation | DIN VDE 0100-410 | DIN VDE 0100-410 | DIN VDE 0100-410 | DIN VDE 0100-410 |

| | | | | |
|--|---|---|---|--|
| Standard – Limitation of mains harmonic currents | EN 61000-3-2 | EN 61000-3-2 | EN 61000-3-2 | EN 61000-3-2 |
| UL approvals | UL Listed UL 508 | UL Listed UL 508 | UL Listed UL 508 | UL Listed UL 508 |
| | UL/C-UL Recognized UL 60950-1 | UL/C-UL Recognized UL 60950-1 | UL/C-UL Recognized UL 60950-1 | UL/C-UL Recognized UL 60950-1 |
| Shock | 18 ms, 30g, in each space direction (according to IEC 60068-2-27) | 18 ms, 30g, in each space direction (according to IEC 60068-2-27) | 18 ms, 30g, in each space direction (according to IEC 60068-2-27) | 11 ms, 15g, in each space direction (according to IEC 60068-2-27) |
| Vibration (operation) | < 15 Hz, amplitude ±2.5 mm (according to IEC 60068-2-6) | < 15 Hz, amplitude ±2.5 mm (according to IEC 60068-2-6) | < 15 Hz, amplitude ±2.5 mm (according to IEC 60068-2-6) | DNV GL CG-0339 / Class B 2 Hz - 100 Hz resonance search, 90 min. in resonance, 2 Hz - 13.2 Hz, ±1 mm amplitude, 13.2 Hz - 100 Hz, 0.7g acceleration |
| | 15 Hz ... 150 Hz, 4g, 90 min. | 15 Hz ... 150 Hz, 4g, 90 min. | 15 Hz ... 150 Hz, 4g, 90 min. | |
| Rail applications | EN 50121-4 | EN 50121-4 | EN 50121-4 | EN 50121-4 |
| Shipbuilding approval | | | GL applied for | |
| Standards/regulations | | | | EN 61000-4-11 |
| Overvoltage category (EN 60950-1) | | | | II |
| Overvoltage category (EN 62477-1) | | | | III |
| Connection data, input | | | | |
| Connection method | Push-in connection | Push-in connection | Push-in connection | Push-in connection |
| Conductor cross section solid min. | 0.2 mm ² | 0.2 mm ² | 0.2 mm ² | 0.2 mm ² |
| Conductor cross section solid max. | 4 mm ² | 4 mm ² | 4 mm ² | 4 mm ² |
| Conductor cross section flexible min. | 0.2 mm ² | 0.2 mm ² | 0.2 mm ² | 0.2 mm ² |

| | | | | |
|---|---|---|---|---|
| Conductor cross section flexible max. | 2.5 mm ² | 2.5 mm ² | 2.5 mm ² | 2.5 mm ² |
| Conductor cross section AWG min. | 24 | 24 | 24 | 24 |
| Conductor cross section AWG max. | 12 | 12 | 12 | 12 |
| Stripping length | 10 mm | 10 mm | 10 mm | 10 mm |
| Output data | | | | |
| Nominal output voltage | 24 V DC ±1 % | 24 V DC ±1 % | 24 V DC ±1 % | 24 V DC ±1 % |
| Setting range of the output voltage (U _{Set}) | 24 V DC ... 28 V DC (> 24 V DC, constant capacity restricted) | 24 V DC ... 28 V DC (> 24 V DC, constant capacity restricted) | 24 V DC ... 28 V DC (> 24 V DC, constant capacity restricted) | 24 V DC ... 28 V DC (> 24 V DC, constant capacity restricted) |
| Nominal output current (I _N) | 5 A | 10 A | 20 A | 40 A |
| Dynamic Boost (I _{Dyn.Boost}) | 7.5 A (5 s) | 15 A (5 s) | 30 A (5 s) | 60 A (5 s) |
| Derating | > 60 °C ... 70 °C (2.5%/K) | > 60 °C ... 70 °C (2.5%/K) | > 60 °C ... 70 °C (2.5%/K) | > 60 °C ... 70 °C (2.5%/K) |
| Connection in parallel | Yes, for redundancy and increased capacity | Yes, for redundancy and increased capacity | Yes, for redundancy and increased capacity | Yes, for redundancy and increased capacity |
| Connection in series | yes | yes | yes | yes |
| Protection against surge voltage on the output | ≤ 30 V DC | ≤ 30 V DC | ≤ 30 V DC | ≤ 30 V DC |
| Control deviation | < 1 % (change in load, static 10 % ... 90 %) | < 1 % (change in load, static 10 % ... 90 %) | < 1 % (change in load, static 10 % ... 90 %) | < 1 % (change in load, static 10 % ... 90 %) |
| | < 3 % (Dynamic load change 10 % ... 90 %, 10 Hz) | < 3 % (Dynamic load change 10 % ... 90 %, 10 Hz) | < 3 % (Dynamic load change 10 % ... 90 %, 10 Hz) | < 3 % (Dynamic load change 10 % ... 90 %, 10 Hz) |
| | < 0.1 % (change in input voltage ±10 %) | < 0.1 % (change in input voltage ±10 %) | < 0.1 % (change in input voltage ±10 %) | < 0.1 % (change in input voltage ±10 %) |
| Residual ripple | ≤ 20 mV _{PP} | ≤ 20 mV _{PP} | ≤ 20 mV _{PP} | ≤ 50 mV _{PP} |
| Output power | 120 W | 240 W | 480 W | 960 W |
| Typical response time | < 1 s | < 1 s | < 1 s | < 1 s |

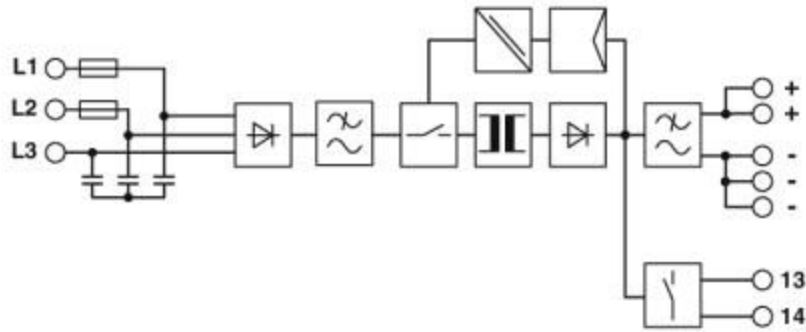
| | | | | |
|--|--|--|--|--|
| Maximum power dissipation in no-load condition | < 1 W (400 V AC) | < 1.1 W (400 V AC) | < 1.2 W (400 V AC) | < 14 W (400 V AC) |
| Power loss nominal load max. | < 12 W (480 V AC) | < 22 W (480 V AC) | < 38 W (480 V AC) | < 68 W (480 V AC) |
| Feedback resistance | | | | < 35 V |
| Short-circuit current | | | | < (Permanent) |
| Connection data for signaling | | | | |
| Connection method | Push-in connection | Push-in connection | Push-in connection | Push-in connection |
| Conductor cross section solid min. | 0.2 mm ² | 0.2 mm ² | 0.2 mm ² | 0.2 mm ² |
| Conductor cross section solid max. | 1.5 mm ² | 1.5 mm ² | 1.5 mm ² | 1.5 mm ² |
| Conductor cross section flexible min. | 0.2 mm ² | 0.2 mm ² | 0.2 mm ² | 0.2 mm ² |
| Conductor cross section flexible max. | 1.5 mm ² | 1.5 mm ² | 1.5 mm ² | 1.5 mm ² |
| Conductor cross section AWG min. | 24 | 24 | 24 | 24 |
| Conductor cross section AWG max. | 16 | 16 | 16 | 16 |
| Stripping length | 8 mm | 8 mm | 8 mm | 8 mm |
| Dimensions | | | | |
| Width | 35 mm | 42 mm | 65 mm | 110 mm |
| Height | 130 mm | 130 mm | 130 mm | 130 mm |
| Depth | 115 mm | 160 mm | 160 mm | 160 mm |
| Weight per piece | 568.5 GRM | 1070.0 GRM | 1717.0 GRM | 2850.0 GRM |
| Input data | | | | |
| Nominal input voltage range | 3x 400 V AC ... 500 V AC | 3x 400 V AC ... 500 V AC | 3x 400 V AC ... 500 V AC | 3x 400 V AC ... 500 V AC |
| | 2x 400 V AC ... 500 V AC | 2x 400 V AC ... 500 V AC | 2x 400 V AC ... 500 V AC | |
| Input voltage range | 3x 400 V AC ... 500 V AC -20 %+15 % | 3x 400 V AC ... 500 V AC -20 %+15 % | 3x 400 V AC ... 500 V AC -20 %+15 % | 3x 400 V AC ... 500 V AC -20 %+15 % |

| | | | | |
|--|--|--|--|--|
| | 2x 400 V AC ... 500 V AC -10 % ... +15 % | 2x 400 V AC ... 500 V AC -10 % ... +15 % | 2x 400 V AC ... 500 V AC -10 % ... +15 % | |
| AC frequency range | 50 Hz ... 60 Hz | 50 Hz ... 60 Hz | 50 Hz ... 60 Hz | 50 Hz ... 60 Hz |
| Discharge current to PE | < 0.25 mA | < 3.5 mA | < 3.5 mA | < 3.5 mA |
| Current consumption | 3x 0.4 A (400 V AC) | 3x 0.6 A (400 V AC) | 3x 1.2 A (400 V AC) | 3x 1.9 A (400 V AC) |
| | 3x 0.3 A (500 V AC) | 3x 0.6 A (500 V AC) | 3x 1 A (500 V AC) | 3x 1.7 A (500 V AC) |
| | 2x 0.6 A (400 V AC) | 2x 1.1 A (400 V AC) | 2x 2.3 A (400 V AC) | |
| | 2x 0.5 A (500 V AC) | 2x 1.1 A (500 V AC) | 2x 1.9 A (500 V AC) | |
| Nominal power consumption | 243.6 VA | 451.7 VA | 822.2 VA | 1335.1 VA |
| Inrush surge current | ≤ 22 A (typical) | ≤ 26 A (typical) | ≤ 22 A (typical) | ≤ (typical) |
| Mains buffering | typ. 20 ms (400 V AC) | typ. 10 ms (400 V AC) | typ. 10 ms (400 V AC) | typ. 10 ms (400 V AC) |
| | typ. 20 ms (500 V AC) | typ. 20 ms (500 V AC) | typ. 20 ms (500 V AC) | typ. 20 ms (500 V AC) |
| Input fuse | 3.15 A (internal (device protection), slow- blow) | 3.15 A (internal (device protection), slow- blow) | 3.15 A (internal (device protection), slow- blow) | 6.3 A (internal (device protection)) |
| Choice of suitable circuit breakers | 6 A ... 16 A (Characteristics B, C, D, K) | 6 A ... 16 A (Characteristics B, C, D, K) | 6 A ... 16 A (Characteristics B, C, D, K) | 10 A ... 16 A (Characteristics B, C, D, K) |
| Power factor (cos phi) | 0.55 | 0.58 | 0.63 | 0.77 |
| Type of protection | Transient surge protection | Transient surge protection | Transient surge protection | Transient surge protection |
| Protective circuit/component | Varistor | Varistor | Varistor | Varistor |
| Connection data, output | | | | |
| Connection method | Push-in connection | Push-in connection | Push-in connection | Push-in connection |
| Conductor cross section solid min. | 0.2 mm ² | 0.2 mm ² | 0.2 mm ² | 0.75 mm ² |
| Conductor cross section solid max. | 4 mm ² | 4 mm ² | 10 mm ² | 16 mm ² |

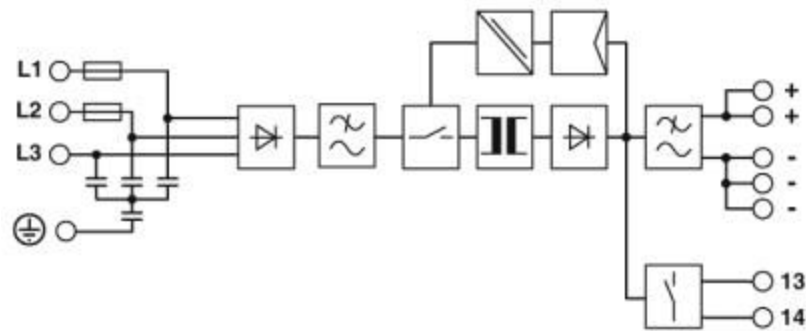
| | | | | |
|--|--|--|--|--|
| Conductor cross section flexible min. | 0.2 mm ² | 0.2 mm ² | 0.2 mm ² | 0.75 mm ² |
| Conductor cross section flexible max. | 2.5 mm ² | 2.5 mm ² | 6 mm ² | 10 mm ² |
| Conductor cross section AWG min. | 24 | 24 | 24 | 20 |
| Conductor cross section AWG max. | 12 | 12 | 8 | 4 |
| Stripping length | 10 mm | 10 mm | 15 mm | 18 mm |
| Ambient conditions | | | | |
| Degree of protection | IP20 | IP20 | IP20 | IP20 |
| Ambient temperature (operation) | -25 °C ... 70 °C (> 60 °C Derating: 2.5 %/K) | -25 °C ... 70 °C (> 60 °C Derating: 2.5 %/K) | -25 °C ... 70 °C (> 60 °C Derating: 2.5 %/K) | -25 °C ... 70 °C (> 60 °C Derating: 2.5 %/K) |
| Ambient temperature (storage/transport) | -40 °C ... 85 °C | -40 °C ... 85 °C | -40 °C ... 85 °C | -40 °C ... 85 °C |
| Max. permissible relative humidity (operation) | ≤ 95 % (at 25 °C, non-condensing) | ≤ 95 % (at 25 °C, non-condensing) | ≤ 95 % (at 25 °C, non-condensing) | ≤ 95 % (at 25 °C, non-condensing) |
| Climatic class | 3K3 (in acc. with EN 60721) | 3K3 (in acc. with EN 60721) | 3K3 (in acc. with EN 60721) | 3K3 (in acc. with EN 60721) |
| Degree of pollution | 2 | 2 | 2 | 2 |
| Installation height | ≤ 5000 m (> 2000 m, Derating: 10 %/1000 m) | ≤ 5000 m (> 2000 m, Derating: 10 %/1000 m) | ≤ 5000 m (> 2000 m, Derating: 10 %/1000 m) | ≤ 4000 m (> 2000 m, Derating: 10 %/1000 m) |
| Ambient temperature (start-up type tested) | | -40 °C | -40 °C | -40 °C |



Approvals

- DNV GL
- cULus Listed
- cULus Recognized
- EAC
- UL Recognized
- cUL Recognized
- cUL Listed
- IECEE CB Scheme
- UL Listed



TRIO 3-Phase Power Supplies Industrial Power Supply Block Diagram



| Part Number | Product Name | 3-Phase Input Voltage Range (V AC) | 2-Phase Input Voltage Range (V AC) | Output Voltage (V DC) | Output Range (V DC) | Output Current (Amps) | Output Power (Watts) | Dimensions (W x H x D) | Additional Features |
|---|------------------------|------------------------------------|------------------------------------|-----------------------|---------------------|-----------------------|----------------------|------------------------|---------------------|
|  | TRIO-PS-2G/3AC/24DC/5 | 320 ... 575 | 360 ... 575 | 24 | 24 ... 28 | 5 | 120 | 35 x 130 x 115 | - |
| 29031538 | | | | | | | | | |
|  | TRIO-PS-2G/3AC/24DC/10 | 320 ... 575 | 360 ... 575 | 24 | 24 ... 28 | 10 | 240 | 42 x 130 x 160 | -40 °C Startup |
| 29031548 | | | | | | | | | |

| | | | | | | | | | |
|----------|----------------------------|----------------|----------------|----|--------------|----|-----|-------------------|-------------------|
| 29031558 | TRIO-PS- 2G/3AC/24DC/20 | 320 ... 575 | 360 ... 575 | 24 | 24 ... 28 | 20 | 480 | 65 x 130 x 160 | -40 °C Startup |
|----------|----------------------------|----------------|----------------|----|--------------|----|-----|-------------------|-------------------|



| | | | | | | | | | |
|----------|----------------------------|----------------|---|----|--------------|----|-----|--------------------|-------------------|
| 29031568 | TRIO-PS- 2G/3AC/24DC/40 | 320 ... 575 | - | 24 | 24 ... 28 | 40 | 960 | 110 x 130 x 160 | -40 °C Startup |
|----------|----------------------------|----------------|---|----|--------------|----|-----|--------------------|-------------------|



29031568