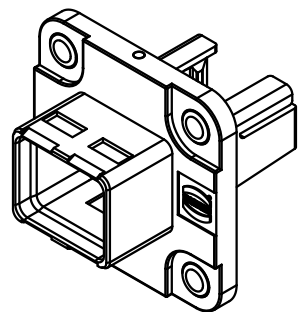
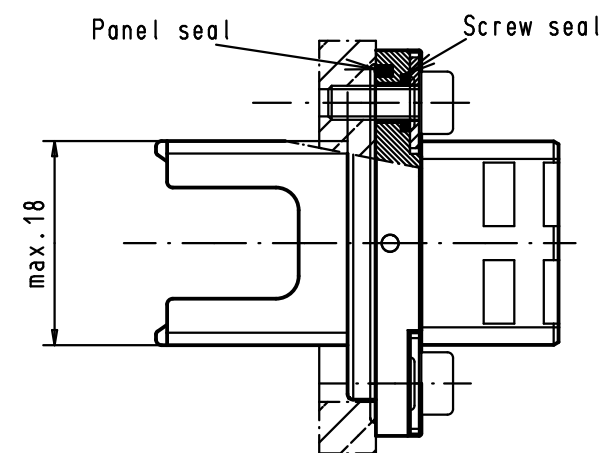
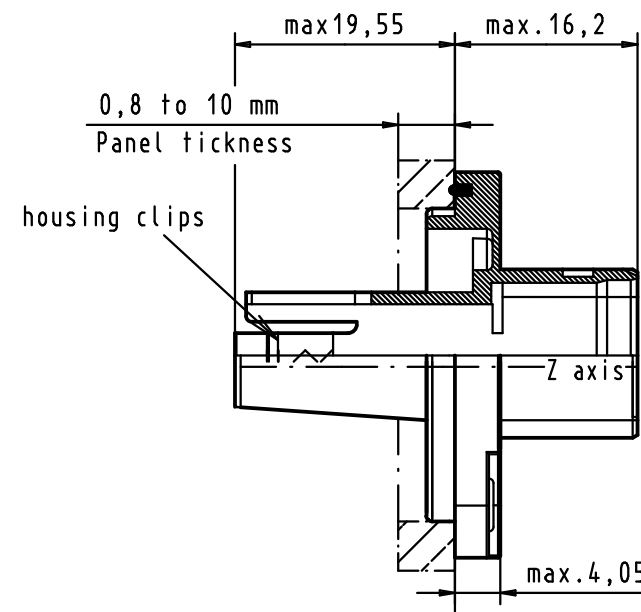
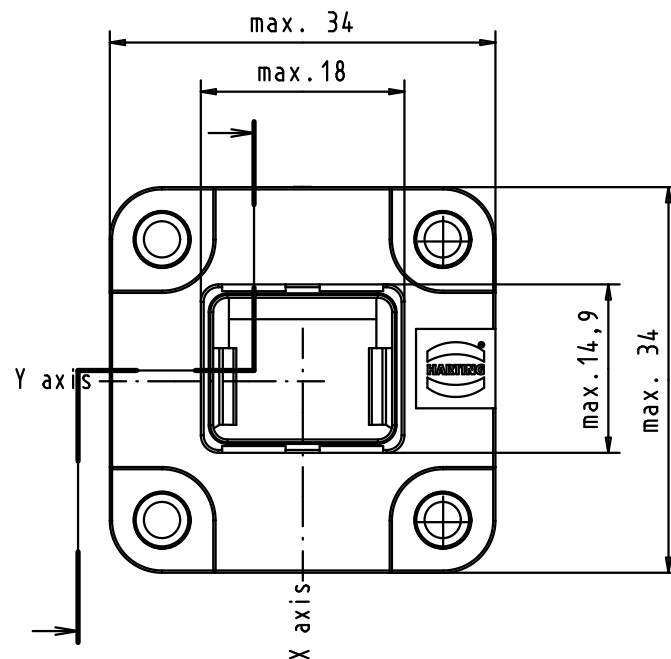
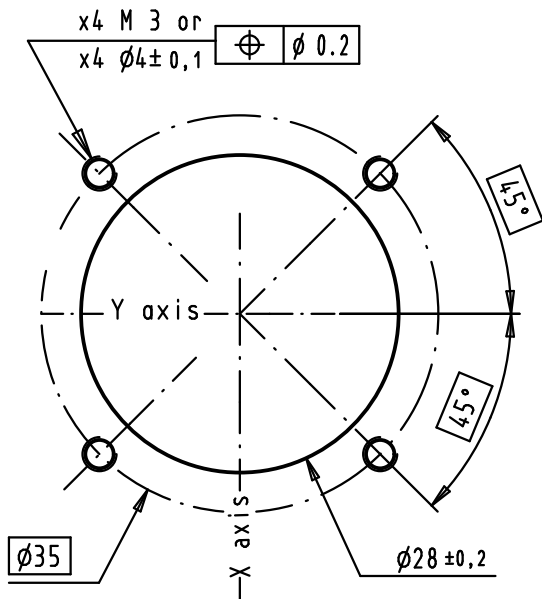




Panel cutting



Scale 1:1

Connector pitches on panel = 35 mm
 Receptacle mating face acc. to
 IEC 61076-3-106 - variant 04

Screwing with 4x M3 screws and flat washer
 Screwing torque 0.5 N.m

				Dot.	Name	 All Dim. in mm Orig. Size DIN A 3	Push-pull RJ Industrial Easy install IP 67 receptacle	Maßstab/ Scale
			Detail.	15/feb/07	BD			1,5:1
			Insp.					
			Stand.					Blatt/ Page
33940	15/feb/07	BD	HARTING EURL F-95972 Paris				TB 09 45 545 0031	1 / 1
Mod.	Dot.	Name					Sub.	