



Features

- LX800, 500 MHz CPU
- Windows CE 6.0 R3 Core
- Embedded Win-GRAF SoftLogic (IEC 61131-3)
- Hard Real-Time Capability
- VGA Port Output
- Modbus RTU/TCP (Master, Slave)
- Support Soft-GRAF HMI
- Redundant Power Inputs
- Support Dual PAC Redundant System
- Operating Temperature: -25 ~ +75°C



Introduction

The **Win-GRAF XPAC-8000-CE6 Series (XP-8048-CE6/XP-8348-CE6/XP-8748-CE6)** is the new generation WinCE 6.0 based Win-GRAF XPAC-CE6 (Programmable Automation Controller) from ICP DAS. Each is equipped with an AMD LX800 500 MHz CPU running a Windows CE 6.0 R3 Core operating system, a variety of input/output ports (VGA, USB, Ethernet, RS-232/485), and a range of I/O slots (0/3/7) that can be used to integrate high performance parallel I/O modules (high profile I-8K Series) or serial I/O modules (high profile I-87K series).

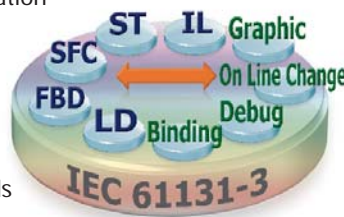
The benefits of running Windows CE 6.0 on a XPAC-CE6 device include hard real-time capability, achievable deterministic control and allowing PAC can have a PC-like window displays and operating environment. The PACs are capable of running Win-GRAF (IEC 61131-3 Standard) software to develop logic control applications, and also supporting M.S. VS 2008 or VS 2010 software (VB .NET, C#) to develop HMI and data management applications that can exchange data with Win-GRAF applications. So the application's design is more convenient and more practical.

Win-GRAF

Win-GRAF is a powerful, PLC-like, softlogic development software. It is installed on PC with windows 7 or 8. It supports the international PLC language standard - IEC 61131-3 - Ladder Diagram (LD), Function Block Diagram (FBD), Sequential Function Chart (SFC), Structured Text (ST), Instruction Set (IL), suitable to develop applications for the full range of Win-GRAF PACs from ICP DAS.

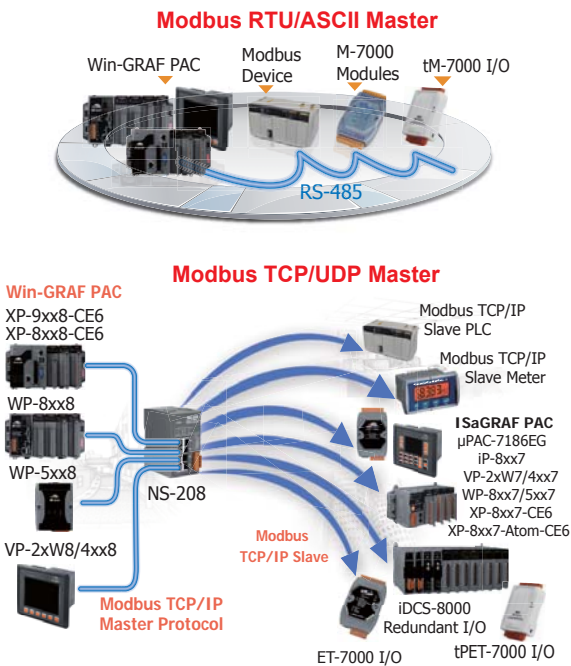
The features of the Win-GRAF:

- IEC 61131-3 Standard Open PLC Syntax (LD, FBD, SFC, ST, IL)
- Using ST Syntax in the FBD or LD Program
- Event Triggered Data Binding (Exchange Data between PACs)
- On Line Debug/Control/Monitor, Off Line Simulation
- On Line Change
- Various Protocols:
 - Modbus TCP/UDP, Modbus RTU/ASCII Master
 - Modbus TCP, RTU Slave
 - DCON ...
- Plenty of Functions, Function Blocks, I/O Boards
- Redundancy (For XP-8xx8-CE6, XP-9xx8-CE6 PAC only)



Applications

Modbus Master Ports



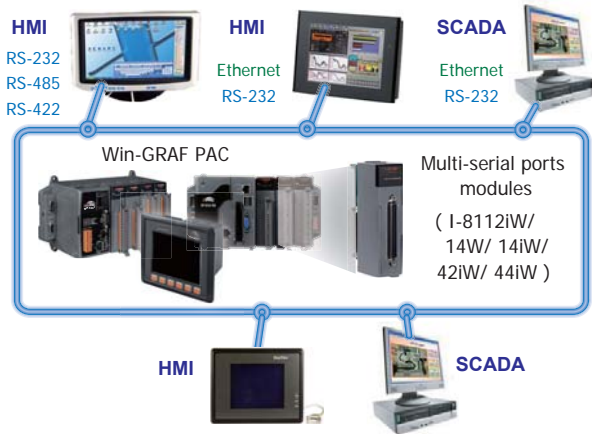
XP-9xx8-CE6/XP-8xx8-CE6 support max. 200 devices.
 WP-8xx8/5xx8 & VP-2xW8/4xx8 support max. 32 devices.

On Line Change

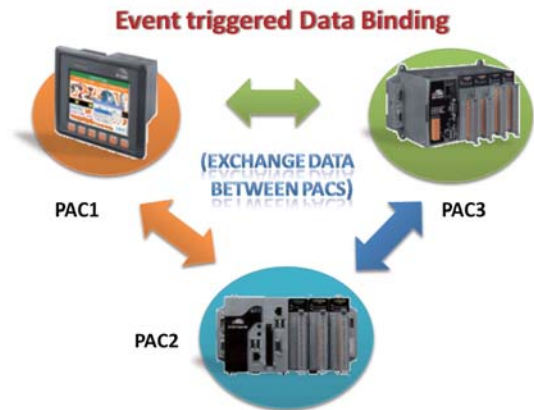
- Replace the current running project to a new modified one without stopping the project



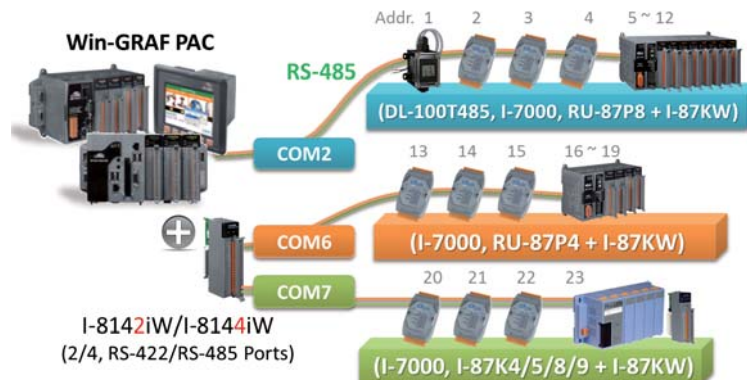
Modbus RTU/TCP Slave Ports



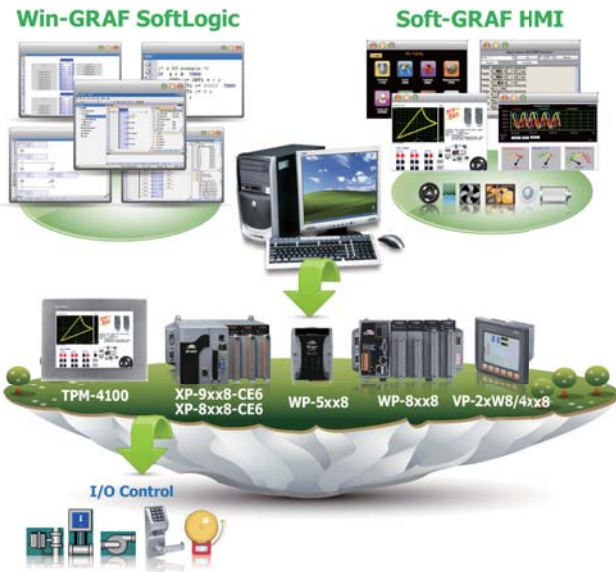
Data Binding



DCON Remote I/O



Soft-GRAF Colorful HMI



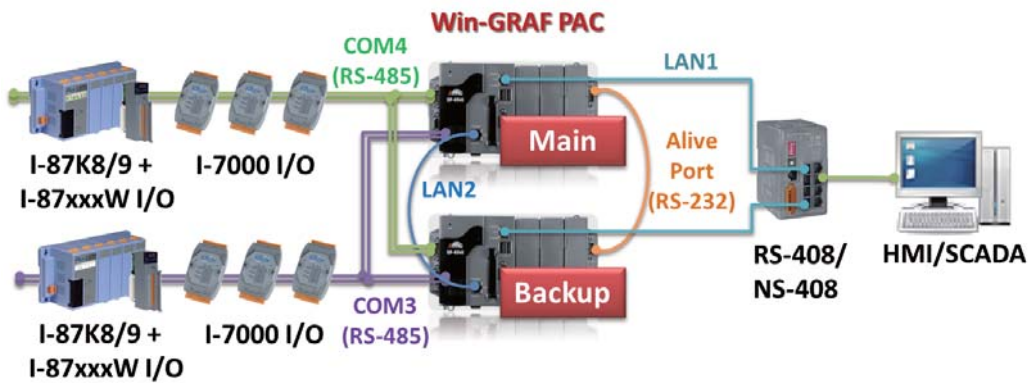
Schedule Control



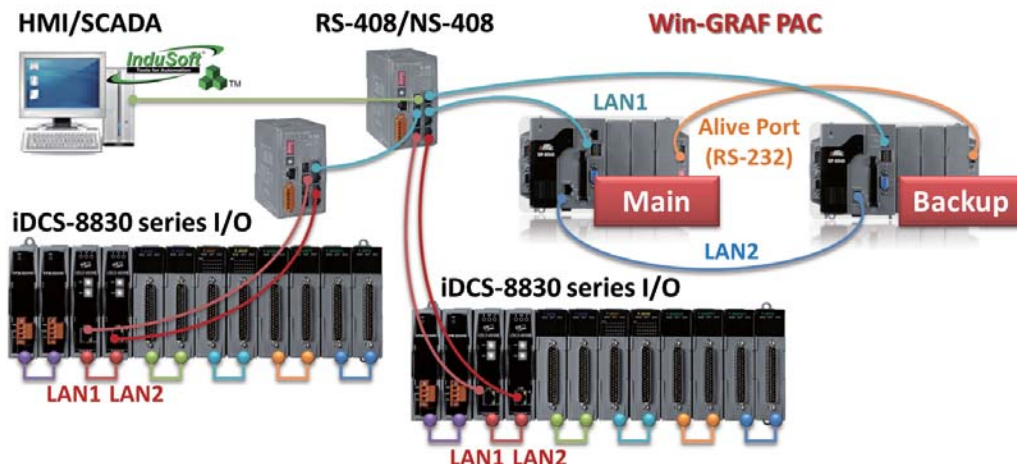
Win-GRAF XPAC-CE6

Redundant System

Only CPU is Redundant



Both CPU and I/O Modules are Redundant



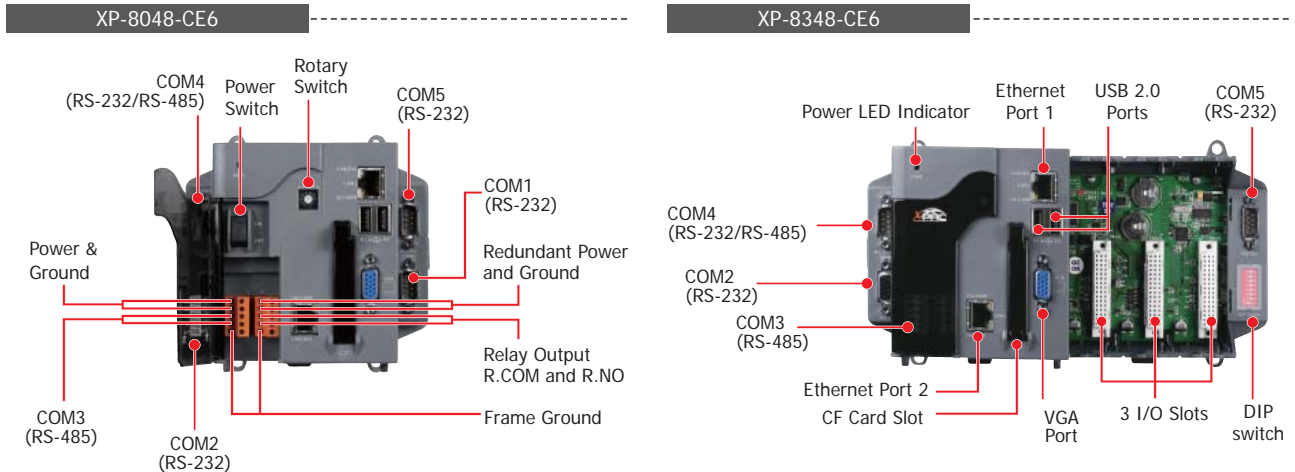
Specifications

Models		XP-8048-CE6	XP-8348-CE6	XP-8748-CE6
System Software				
OS		Windows CE 6.0 R3 Core		
.Net Compact Framework		3.5		
Embedded Service		FTP Server, ASP (Java Script, VB Script), SQL Compact Edition 3.5		
SDK Provided		DII for Visual Studio .Net 2005/2008		
Multilanguage Support		English, German, French, Spanish, Russian, Italian, Czech, Japanese, Korean, Simplified Chinese, Traditional Chinese		
Development Software				
Win-GRAF Software	Win-GRAF	IEC 61131-3 standard.		
	Languages	LD, ST, FBD, SFC & IL; Support Soft-GRAF HMI: WP-8xx8, WP-5xx8, XP-8xx8-CE6, XP-9xx8-CE6, VP-25W8/4138 PAC		
	Max. Code Size	2 MB		
	Scan Time	3 ~ 15 ms for normal program; 15 ~ 50 ms for complex or large program		
Non-Win-GRAF		Options: VS.NET 2008/2010 (VB.NET, C#.NET, C)		
CPU Module				
CPU		LX800, 500 MHz		
System Memory		512 MB DDR SDRAM		
Dual Battery Backup SRAM		512 KB (for retaining variables)		
Flash		4 GB		
EEPROM		16 KB		
CF Card		Yes, support up to 32 GB		
RTC (Real Time Clock)		Display seconds, minutes, hours, date, day of the week, month, year		
Programmable LED Indicator		-		
64-bit Hardware Serial Number		Yes, for Software Copy Protection		
Dual Watchdog Timers		Yes		
Rotary Switch		Yes (0 ~ 9)		
DIP Switch		-	Yes (8 bits)	
Audio		-		
VGA & Communication Ports				
VGA		Yes (Resolution: 1024 x 768, 800 x 600, 640 x 480)		
Ethernet		RJ-45 x 2, 10/100 Base-TX (Auto-negotiating, Auto MDI/MDI-X, LED indicators).		
USB 2.0		2		
COM 1		RS-232 (RxD, TxD and GND); non-isolated	Internal communication with the high profile I-87K series modules in slots	
COM 2		RS-232 (RxD, TxD and GND); non-isolated		
COM 3		RS-485 (Data+, Data-) with internal self-tuner ASIC; 3000 VDC isolated		
COM 4		RS-232/RS-485 (RxD, TxD, CTS, RTS and GND for RS-232, Data+ and Data- for RS-485); non-isolated		
COM 5		RS-232 (RxD, TxD, CTS, RTS, DSR, DTR, CD, RI and GND); non-isolated		
I/O Expansion Slots				
Number of Slots		0	3	7
Note: For High Profile I-8K and I-87K Modules Only				
Mechanical				
Dimensions (W x L x H)		137 x 132 x 125 (mm)	231 x 132 x 125 (mm)	355 x 132 x 125 (mm)
Installation		DIN-Rail or Wall Mounting		
Environmental				
Operating Temperature		-25 ~ +75°C		
Storage Temperature		-30 ~ +80°C		
Ambient Relative Humidity		10 ~ 90% RH (non-condensing)		
Power				
Input Range		+10 ~ +30 VDC		
Isolation		1 kV		
Redundant Power Inputs		Yes, with one power relay (1 A @ 24 VDC) for alarm		
Capacity		15 W	35 W	35 W
Consumption		14.4 W	14.4 W	16.8 W

Win-GRAF Specifications

Protocols (Note that certain protocols require optional devices)		
NET ID	1~255, for Modbus TCP/RTU Slave, user-assigned	
Modbus TCP Master	A max. of 200 IP links to access/control the devices supporting Standard Modbus TCP Slave protocol.	
Modbus RTU/ASCII Master	A max. of 32 ports: COM1 ~ 33 to connect other Modbus Slave devices (Like M-7000). Recommend connecting no more than 32 devices in each port for better scan rate. (*)	
Modbus RTU Slave	A max. of 16 ports: COM1 ~ 33 for connecting SCADA/HMI/OPC Server. (*)	
Modbus TCP Slave	Two Ethernet ports (LAN1 & LAN2) support up to 64 connections. If the PAC uses 1 connection to connect each PC/HMI, it can connect up to 64 PCs/HMIs; If the PAC uses 2 connections to connect each PC/HMI, it can connect up to 32 PCs/HMIs; If one of the Ethernet port malfunctions, the other one can still be used to connect the PC/HMI.	
User-defined Protocol	Custom protocols can be applied at COM1~33 by using Serial communication functions or function blocks. (*)	
DCON Remote I/O	A max. of 16 RS-485 ports: COM1 ~ 33. Each port can connect max. 50 nos I-7000 series modules or 50 nos I-87xxxW I/O modules in expansion units (I-87K4, I-87K8, I-87K9, RU-87P8, RU-87P4). Recommend connecting no more than 32 modules in each port for better scan rate.	
Local I/O Modules	Supports only high profile I/O modules. Slot 1~7 supports I-8xxxW parallel I/O modules and I-87xxxW serial I/O modules. (Refer Optional I/O List)	
App Protection	Using the unique 64-bit (8 bytes) PAC serial number to generate a protection password by your own algorithm to protect your Win-GRAF application. Then, if someone intend to copy your application in the PAC to another new PAC with the same PAC model, this application will not work properly in that new PAC.	
Redundancy	2 XP-8xx8-CE6 can set a redundant system, when one is damaged or crashes, the other can still take up and continue the work. The system offers 3-line communication redundancy, LAN1, LAN2 and Alive Port (COM5), as long as one of the three communication lines still connects normally, this redundant system can normally control the process. The redundant system provides a public IP address that allows SCADA/HMI software to access it without needing to determine which one is the Active IP.	
Data Binding	Exchange data between ICP DAS Win-GRAF PAC via Ethernet ports (LAN1 and LAN2). The data transmission is event triggered. It is much efficient than polling way. Beside, user can setup the Redundant Binding in two ethernet ports by Software, then if one Ethernet port fail, it can switch to use the other port.	
On Line Change	For application field that not allowed to stop the Win-GRAF program and wish to run a new program modified a little from the original program.	
Modbus RTU I/O	When software enables Modbus RTU Master function, the PAC can connect ICP DAS M-7000 and tM series and LC series I/O modules which support Modbus RTU protocol.	
Modbus TCP I/O	When software enable Modbus TCP Master function, the PAC can connect ET-7000, I-8KE4/8-MTCP and tPET/tET series I/O modules of ICP DAS which support Modbus TCP protocol.	
Schedule Control	Supports the "Schedule-Control Utility" (free) to implement schedule control. Each PAC can control max. 10 Targets (devices) with different schedule settings in each day / holiday / special day / season / year .	
Retain Variables	Built-in the fast retain memory that can retain up to 12,000 Win-GRAF variables.	
File Access & Data Log	The Win-GRAF supports file operation functions to read/write files in the PAC's micro_SD or flash memory to do data log or file access.	
Soft-GRAF HMI	Support to run HMI program (developed by the Soft-GRAF Studio) together with the Win-GRAF logic-control program in the same PAC.	
Optional I/O List (Refer to http://www.icpdas.com/root/product/solutions/remote_io/rs-485/i-8k_i-87k/i-8k_i-87k_selection.html#a)		
Digital Input (DI)	I-8040W, I-8046W, I-8051W, I-8052W, I-8053W, I-8053PW, I-87040W, I-87040PW, I-87046W, I-87051W, I-87052W, I-87053W, I-87053PW, I-87053W-A2, I-87053W-A5, I-87053W-E5	
Digital Input/Output (DIO)	I-8042W, I-8050W, I-8054W, I-8055W, I-87042W, I-87054W, I-87055W	
Digital Output (DO)	I-8037W, I-8041W, I-8041AW, I-8056W, I-8057W, I-87037W, I-87041W, I-87057W, I-87057PW	
Relay Output	I-8060W, I-8063W, I-8064W, I-8068W, I-8069W, I-87061W, I-87061PW, I-87063W, I-87064W, I-87065W, I-87066W, I-87068W, I-87068W-2A, I-87069W, I-87069PW	
AC Input	I-8058W, I-87053W-AC1, I-87058W, I-87059W	
Analog Input (AI)	I-8017DW, I-8017HW, I-8017HCW, I-87017W, I-87017RW, I-87017RCW, I-87017DW, I-87017EW, I-87018W, I-87018RW, I-87018PW, I-87018ZW, I-87019PW, I-87019RW, I-87019ZW	
Analog Output (AO)	I-8024W, I-87024CW, I-87024UW, I-87024DW, I-87024RW, I-87024W, I-87028CW, I-87028UW, I-87028VW, I-87028VW-20V	
Multifunction (DIO, AIO)	I-87026W	
Temperature Input	Thermister	I-87005W
	RTD	I-87013W, I-87015W, I-87015PW
	T/C	I-87018W, I-87018RW, I-87018PW, I-87018ZW, I-87019PW, I-87019RW, I-87019ZW
Strain Gauge	I-87016W	
Counter/Frequency Input	I-8084W, I-87082W, I-87084W	
Encoder Input	I-8093W	
PWM Output	I-8088W	
Communication Module	I-8112iW, I-8114W, I-8114iW, I-8142iW, I-8144iW	
Temperature & Humidity Input	DL-100T485, DL-100T485-W, DL-100T485P, DL-100T485P-W (DCON Protocol)	
	DL-100TM485, DL-100TM485-W, DL-100TM485P, DL-100TM485P-W (Modbus RTU Protocol)	
* Note: The COM6 ~ COM33 ports are located in the expansion boards if they are installed in slot 1~7 of XP-8xx8-CE6.		
* Only XP-8048 has COM1.		
* ICP DAS recommends using NS-205/208 or RS-405/408 (Ring Switch) Industrial Ethernet Switches.		

Appearance



Pin Assignment

COM1: RS-232	COM2: RS-232	COM3: RS-485	COM4: RS-232/485	COM5: RS-232
<p>1 Rx D 2 Tx D 3 GND</p>	<p>5 GND 4 RXD 3 TXD 1 GND</p>	<p>PWR1 GND D+ D- F.G.</p>	<p>1 Data+ 2 TXD 3 RXD 5 GND 6 CTS 7 RTS 8 Data-</p>	<p>1 CD 2 RXD 3 TXD 4 DTR 5 GND 6 DSR 7 RTS 8 CTS 9 RI</p>

Note: Only XP-8048-CE6 has the above COM1 Port.

Ordering Information

XP-8047-CE6 CR	0 I/O slot WinCE 6.0 Based ISaGRAF XPAC (OS: Multi-Language version) (RoHS)
XP-8347-CE6 CR	3 I/O slot WinCE 6.0 Based ISaGRAF XPAC (OS: Multi-Language version) (RoHS)
XP-8747-CE6 CR	7 I/O slot WinCE 6.0 Based ISaGRAF XPAC (OS: Multi-Language version) (RoHS)

Software and Accessories

Win-GRAF Development Software	
Win-GRAF Workbench	Win-GRAF Workbench Software (Large I/O Tags) with one USB Dongle
Accessories	
DP-660	24 VDC/2.5 A, 60 W and 5 VDC/0.5 A, 2.5 W Power Supply with DIN-Rail Mounting
DP-1200 CR	24 VDC/5.0 A, 120 W Power Supply with DIN-Rail Mounting (RoHS)
MDR-60-24 CR	24 VDC/2.5 A, 60 W Power Supply with DIN-Rail Mounting (RoHS)
NS-205 CR / NS-208 CR	5-port / 8-port Unmanaged Industrial 10/100 Ethernet Switch with Plastic Case (RoHS)
RS-405 CR / RS-408 CR	5-port / 8-port Real-time Redundant Ring Switch (RoHS)
TPM-4100/TP-4100	10.4" (800 x 600) resistive touch panel monitor with RS-232 or USB interface