



# **7-Port / 4-Port USB 3.0 Mountable Industrial Hub**

UGT-DH107U3 (7-Port)  
UGT-DH104U3 (4-Port)

## **User Manual**

**Ver. 1.00**

All brand names and trademarks are properties of their respective owners.

# Table of Contents:

Chapter 1: Introduction.....	3
1.1 Product Introduction.....	3
1.2 Features .....	3
1.3 System Requirements .....	4
1.4 Package Contents.....	4
1.5 Hardware Description.....	5
Chapter 2: Getting Started .....	6
2.1 Hardware Instalation.....	6

# Chapter 1: Introduction

## 1.1 Product Introduction

The 4-Port USB 3.0 Mountable Industrial Hub is design for USB connectivity in hush environment. Ready to take on 15K ESD, Fuse protection, and screw lock USB cable connection, this hub comes with mounting kit for mounting on wall or other accessible location. The Power input uses industrial standard terminal block with different DC power input for flexible power environment. The housing is made with industrial grade metal casing for strength and durability. With this USB Hub running at Super speed and UASP pass thru will greatly speed any data transfer.

## 1.2 Features

- SuperSpeed USB 3.0 compliant, supporting for 5Gbps bandwidth
- Backward compatible with USB 2.0 and 1.x specification and devices
- Supports USB Battery Charging specification v1.2
- Support screw locked USB 3.0 cable on all upstream and downstream USB ports
- All-metal chassis
- 15K ESD protection on all signal and power pins of all upstream, downstream and power input ports

- Fuse protection on all upstream, downstream and power input ports
- Support additional DIN rail mounting bracket
- Reversible power input polarity
- Support Bus-powered and Self-powered modes
- Included terminal block for 9 to 40VDC power input for high power devices

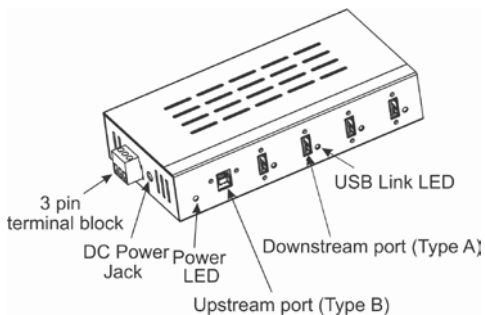
### 1.3 System Requirements

- Windows® XP/Vista/7/8/8.1 (32/64 bit)
- Available USB port (USB 3.0 recommended)

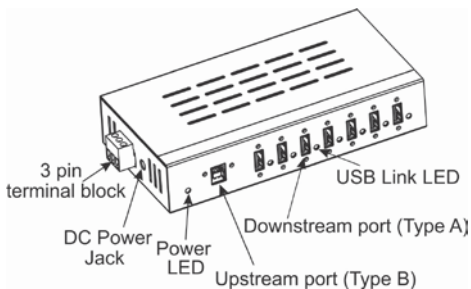
### 1.4 Package Contents

- 1 x Industrial USB 3.0 Hub
- 1 x USB 3.0 Cable
- 1 x Wall Mounting Kit
- 1 x Terminal block
- 1 x User Manual

## 1.5 Hardware Description



**Figure 1. 4-Port Industrial USB 3.0 Hub Layout**

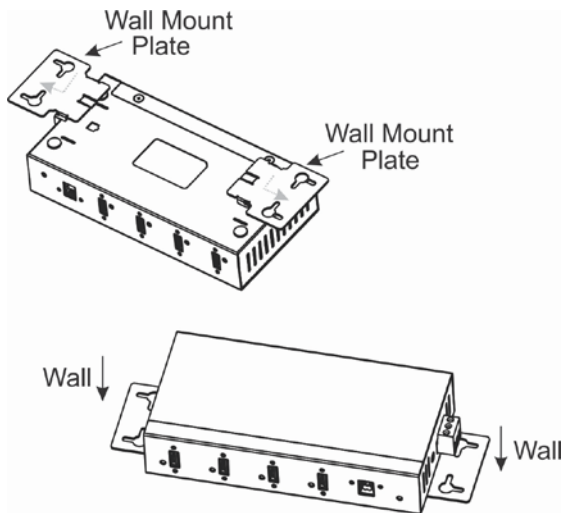


**Figure 2. 7-Port Industrial USB 3.0 Hub Layout**

# Chapter 2: Getting Started

## 2.1 Hardware Installation

Mount your hub on the wall, if need. Use the provided Wall Mount Plate to mount the hub to the wall. See **Figure 3**.



**Figure 3. Wall Mount Plate Mounting**

1. Connect the power adapter (not included) to the USB Hub. The power LED should light up solid. Supplying external power is optional, however to ensure each USB port is fully powered, connecting external power is recommended.
2. Connect the USB cable from the USB Hub (Type B port) to the host computer system.
3. The operating system should detect the Hub immediately and automatically install it.
4. Once installation is complete, USB devices should be able to be connected to the Hub and recognized. The USB Link LED should
5. Light up when a USB device is plugged in and detected.