

A43

2MP Zoom Bullet with D/N, Adaptive IR, Extreme WDR, ELLS, 4.3x Zoom Lens



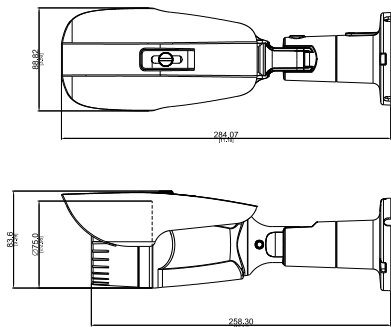
- 2 Megapixel with 1080p
- Day & Night with Extreme Low Light Sensitivity and Adaptive IR LED
- 4.3x Zoom Lens with f2.8-12mm / F1.4-2.8, P-Iris, Auto Focus (for installation)
- Extreme WDR (100 dB)
- 30 fps at 1920 x 1080
- Weatherproof (IP66); Vandal Proof Metal Casing (IK10)

PHOTO INDICATION

DIMENSION DIAGRAM



- | | |
|----------------------|--------------------------|
| ① Audio Output | ⑤ Audio Input |
| ② DC 12V Power Input | ⑥ Ethernet Port |
| ③ Factory Reset | ⑦ Digital Input / Output |
| ④ BNC Video Output | |



Unit: mm [inch]

ACCESSORY OPTIONS

Power Supply		
PPOE-0001		IEEE 802.3af PoE Injector for Class 1, 2 or 3 devices, with universal adapter

Popular Mounting Solutions		
Pole	PMAX-0506	
Junction Box	PMAX-0704	

* For more mounting solutions, please refer to Project Planner on www.acti.com

PRODUCT SPECIFICATION

A43

• Device

Device Type	Outdoor Zoom Bullet Camera
Image Sensor	Progressive Scan CMOS
Sensor Size	1/2.8"
Effective Pixels	1945 (H) x 1097 (V) (2.13 MP)
Horizontal Resolution	1100 TVL
Day / Night	Yes
Low Light Sensitivity	Extreme
Minimum Illumination	Color: 0.05 lux at F1.4 (30 IRE, 2400°K); B/W: 0.005 lux (IR LED on)
Mechanical IR Cut Filter	Yes
IR Sensitivity Range	700 - 1150nm
IR LED	Adaptive IR LED x 22 (850nm)
IR Working Distance	30 m (0 lux, 30 IRE, Gain 255, Auto shutter mode)
Electronic Shutter	1/5 ~ 1/16,000 sec
S/N Ratio	56 dB

• Lens

Focal Length / Aperture	Zoom, f2.8 - 12mm / F1.4 - 2.8
Zoom Ratio / Speed	4.3x optical / 1 sec (wide to tele)
Zoom Application	Camera Installation
Iris	P-iris
Focus	Auto focus
Lens Mount	Board mount
Horizontal Viewing Angle	88° - 25°
Viewing Angle Adjustment	Pan: 0°-360°; Tilt: 0°-90°

• Video

Compression	H.265, H.264 (Baseline/ Main/ High profile), MJPEG
Max. Frame Rate vs. Resolution	30 fps at 1920 x 1080; 30 fps at 1280 x 720; 30 fps at 640 x 480; 30 fps at 320 x 240
Multi-Streaming	Simultaneous dual streams based on two configurations
Privacy Mask	4 Configurable regions
Image Enhancement	Extreme WDR (100 dB); White balance: automatic, manual, hold; Brightness; Digital image stabilizer Contrast; Sharpness (auto); Auto gain control; 2D + 3D digital noise reduction; Defogging
Text Overlay	User defined text on video
Built-in Analytics	Tamper
Image Orientation	Mirror, Flip, Rotation

• Audio

Compression	8kHz, Mono, PCM, 16 bit encoding, G.711
Audio-In	3.5mm Phone Jack (Line in / Microphone in)
Audio-Out	3.5mm Phone Jack (Line out)

• Network

Protocol & Service	IPv4, IPv6, TCP, UDP, HTTP, HTTPS, SMTP, FTP, NTP, DNS, DDNS, DHCP, ARP, Bonjour, UPnP, RTSP, RTP, RTCP, IGMP, PPPoE, ICMP, SNMP, QoS
Ethernet Port	1, Ethernet (10/100 Base-T), RJ-45 connector
Security	IP address filtering; HTTPS encryption; Password protected user levels; Anonymous login; IEEE802.1X network access control

• Alarm

Alarm Trigger	Video motion detection (3 regions); External device through digital input; Sound detection
Alarm Response	Notify control center; Change camera settings; Command other devices; E-mail notification with snapshots; Upload video or snapshot to FTP server; Activate external device through digital output

• Interface

Digital Input	1, Terminal Block
Digital Output	1, Terminal Block
Analog Video Output	1, BNC

• General

Power Source / Consumption	PoE Class 3 / 10W; DC12V / 8W
Weight	0.82 kg (1.807 lb)
Dimensions (Ø x H)	80 x 258.3 mm (3.15" x 10.17")
Environmental Casing	Weatherproof (IP66)
Mount Type	Wall, Ceiling, Pole
Starting Temperature	-20°C ~ 50°C (-4°F ~ 122°F) within 30 minutes
Operating Temperature	-30°C ~ 50°C (-22°F ~ 122°F)
Operating Humidity	20% ~ 80% RH
Approvals	CE (EN 55022 Class A, EN 55024), FCC (Part15 Subpart B Class A), IP66, IK10 (metal casing)

• Integration

Unified Solution	Fully compatible with ACTi software
ISV Integration	Software Development Kit (SDK) available; ONVIF compliant
GPS Position	Manual setting
Firmware Access Browser	Microsoft Internet Explorer 8.0 or newer (full functionality)

* All specifications are subject to change without notice.

* All brand names and registered trademarks are the property of their respective owners.

www.acti.com

