



Model: 232LB9R
9-Pin RS-232 Line Booster



Overview

The 232LB9R is a 9-pin RS-232 repeater that re-transmits all 8 signals and carries the ground line through. Many CE computers, laptops, and some desktops ship with low-power versions of RS-232 ports that are unable to drive port-powered devices or full-length RS-232 cabling. The 232LB9R can amplify these weak signals up to the RS-232 Standard for uses such as running port powered devices. It is also ideal for extending full-powered RS-232 cable runs beyond the typical 50 to 100 feet.

Installation

To amplify low-power ports using the 232LB9R, the converter is installed close to the low-powered port as shown in Figure 2, and the other device is installed within the typical full-powered RS-232 length. To use as a line booster for extending an RS-232 cable run, the 232LB9R should be installed no more than 50 feet from any RS-232 transceiver in the system. For very long cable runs, two or more line boosters may be required for proper operation of the RS-232 interface as shown in Figure 2.

The 232LB9R must be installed so that the signals flow in the proper direction. Figure 1 shows the direction of flow on each line. The female connector end is pinned out as DCE and connects directly to a standard COM port on a computer or any other DTE interface. The male connector is pinned out as DTE and connects to any DCE device such as a modem or another 232LB9R.

Specifications

- Dimensions: 3.1 x 1.7 x 0.8 in (7.9 x 4.3 x 2.1 cm)
- Temperature Range: 0 to 70°C
- Supply Voltage: +12 to 16 VDC @ 40 mA max
- Data Rates: Up to 115.2 kbps
- Connectors: DB9 female for DCE side
DB9 male for DTE side

Figure 2: Boosting Low Power Ports

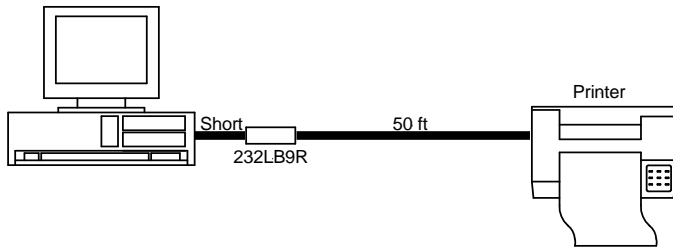


Figure 3: Lengthening Cable Runs

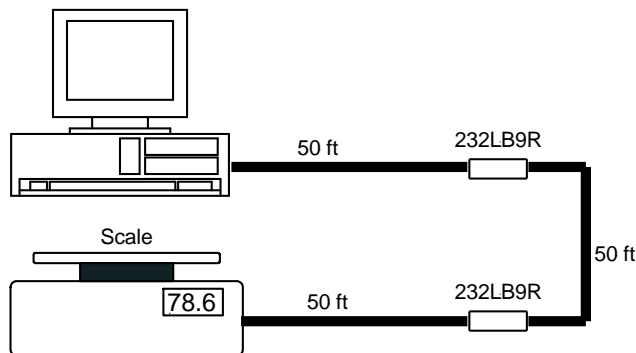
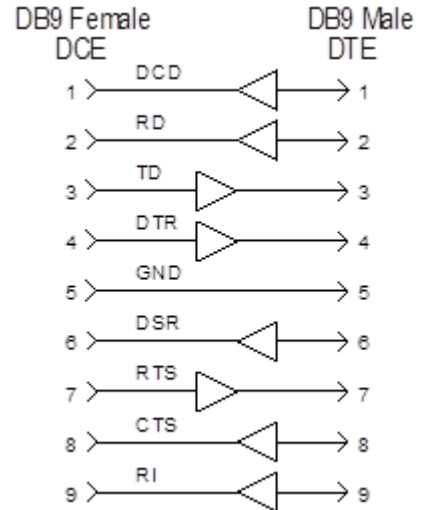


Figure 1: Signal Direction



DECLARATION OF CONFORMITY

Manufacturer's Name:	B&B Electronics Manufacturing Company
Manufacturer's Address:	P.O. Box 1040 707 Dayton Road Ottawa, IL 61350 USA
Model Number:	232LB9R
Description:	9-pin RS-232 Line Booster
Type:	Light industrial ITE equipment
Application of Council Directive:	89/336/EEC
Standards:	EN 50082-1 EN 61000 (-4-2, -4-3, -4-4, -4-6)

Robert M. Paratore, Director of Engineering