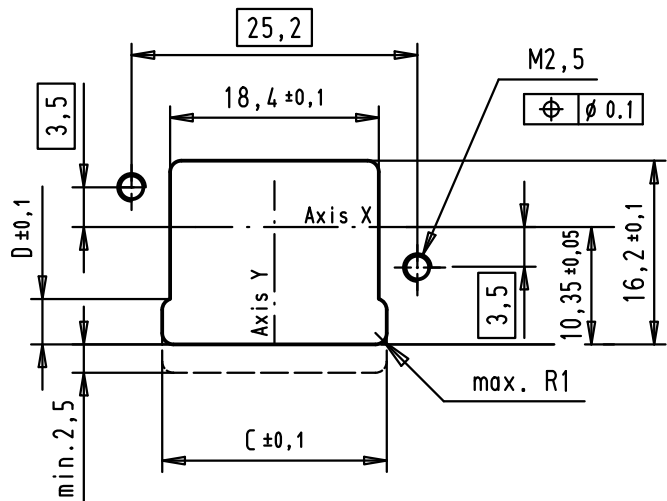
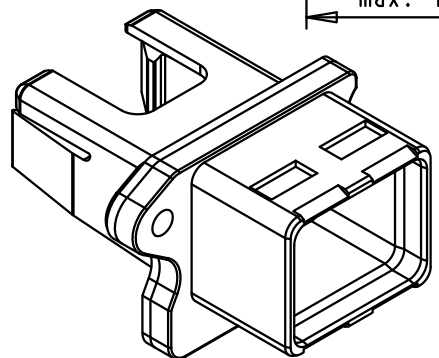
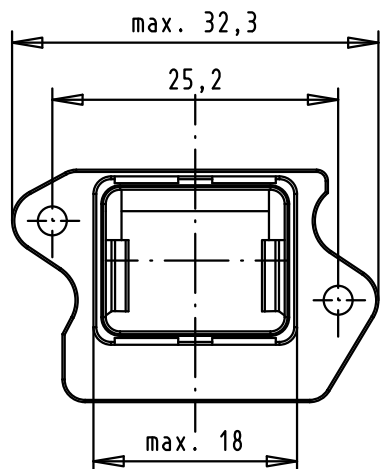
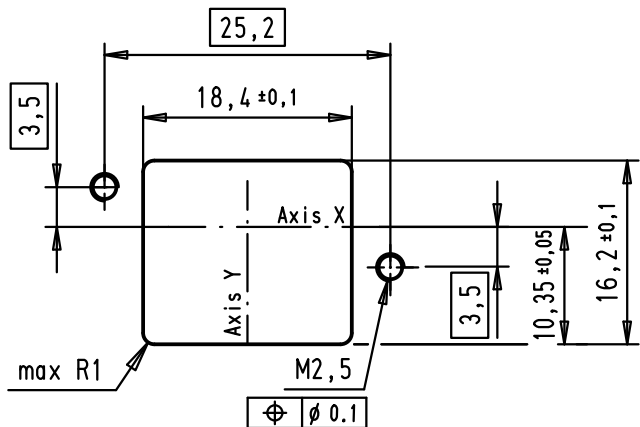


Panel cutting I



C = 19,8 and D = 4,0 for solder pin data layout  
 C = 21,0 and D = 4,1 for SMD data layout

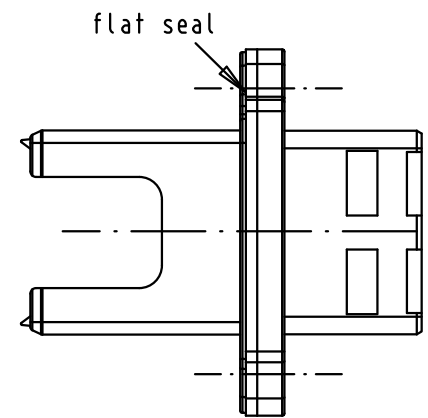
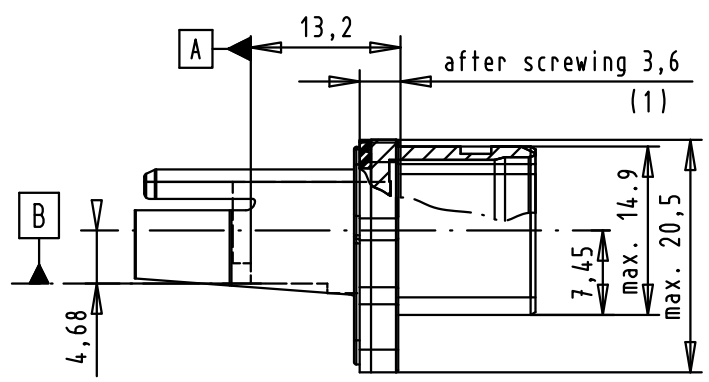
Panel cutting II



Connector pitch on panel:  
 Axis X = 27 mm and Axis Y = 21 mm  
 Receptacle mating side according to  
 600076-3-106 IEC - variant 04

Mating references A and B  
 according to IEC 60603-7

(1) Screwing x2 M2.5 screws between 0.5N.m and 0.8N.m  
 screw according to DIN 912 and ISO 4762



Interface	Panel Cutting
RJ 45 jack 0945 551 1100	I
RJ 45 jack 0945 551 1101	I
RJ 45 jack 0945 551 1102	I
Push Pull Power	II

Mod.	Dot.	Name	Detail.	Dot.	Name	Scale
EC01204	12/01/10	AB		12/01/10	AB	1,5:1
			Insp.			
			Stand.			
			HARTING EURL F-95972 Paris		TB 09 45 545 00 29	
			Sub.		Blatt/ Page 1/1	

